

.25"(6.35mm) Pitch Power Connectors

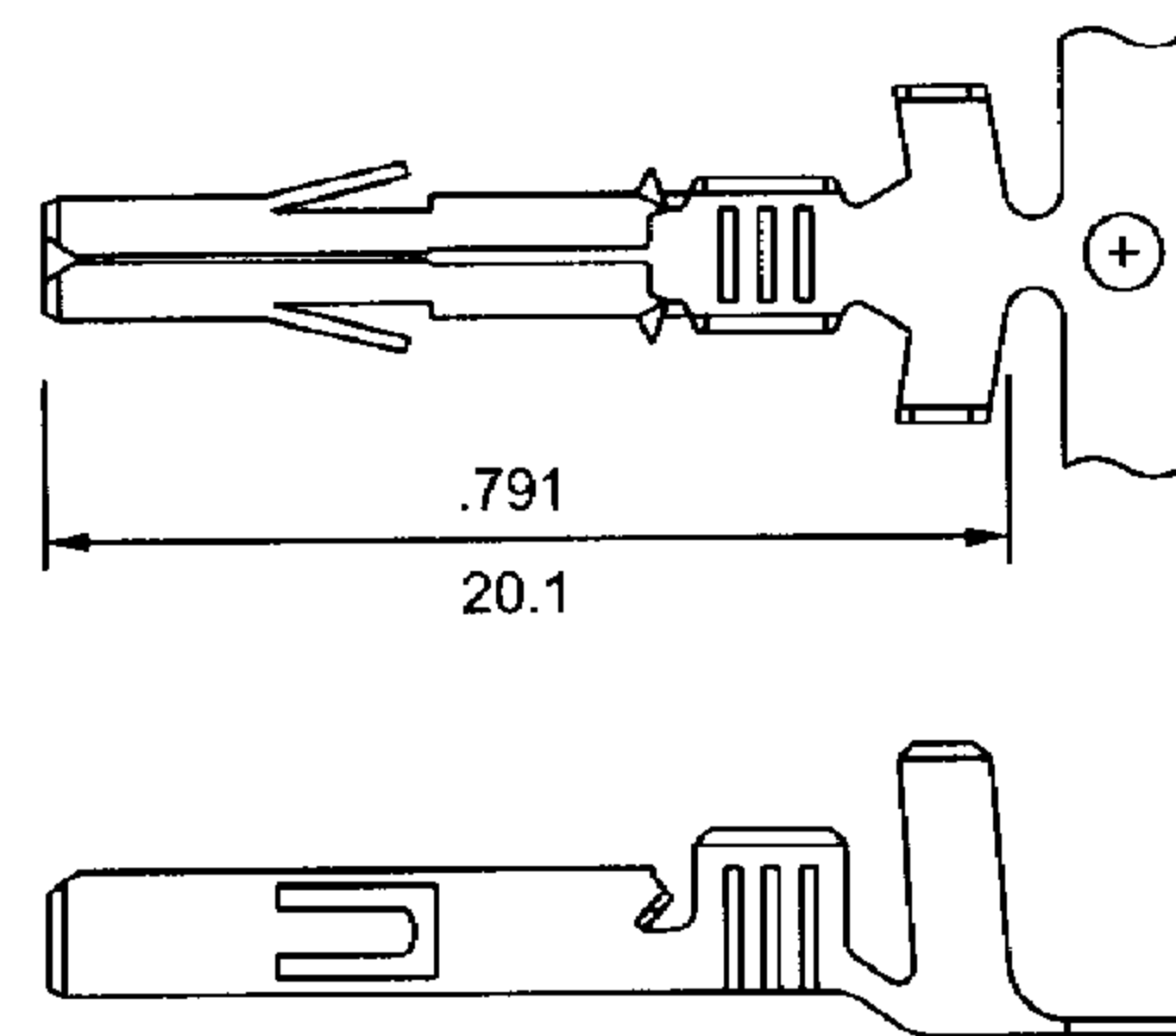
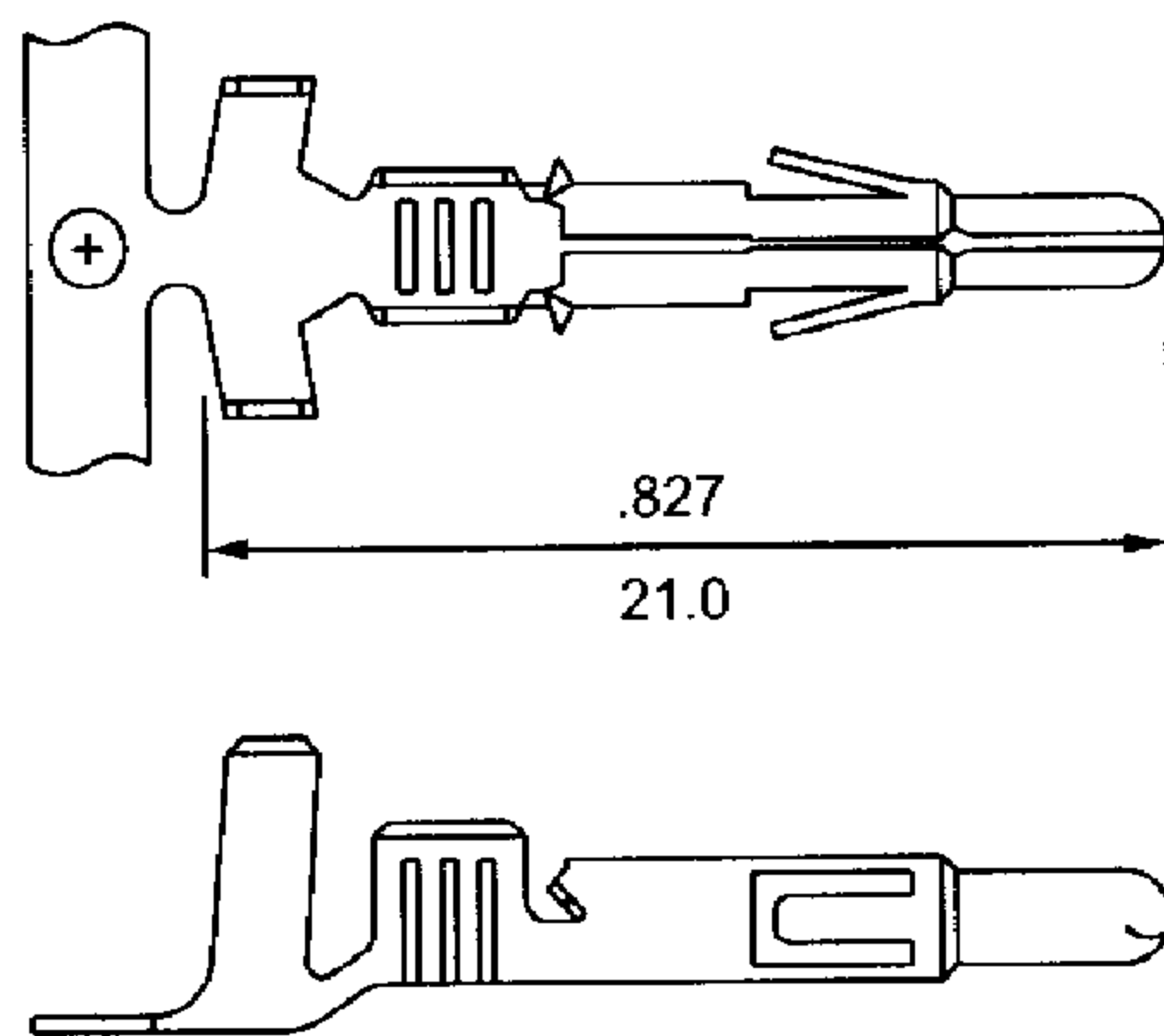
63501TM Male Crimp Terminal

63501TF Female Crimp Terminal

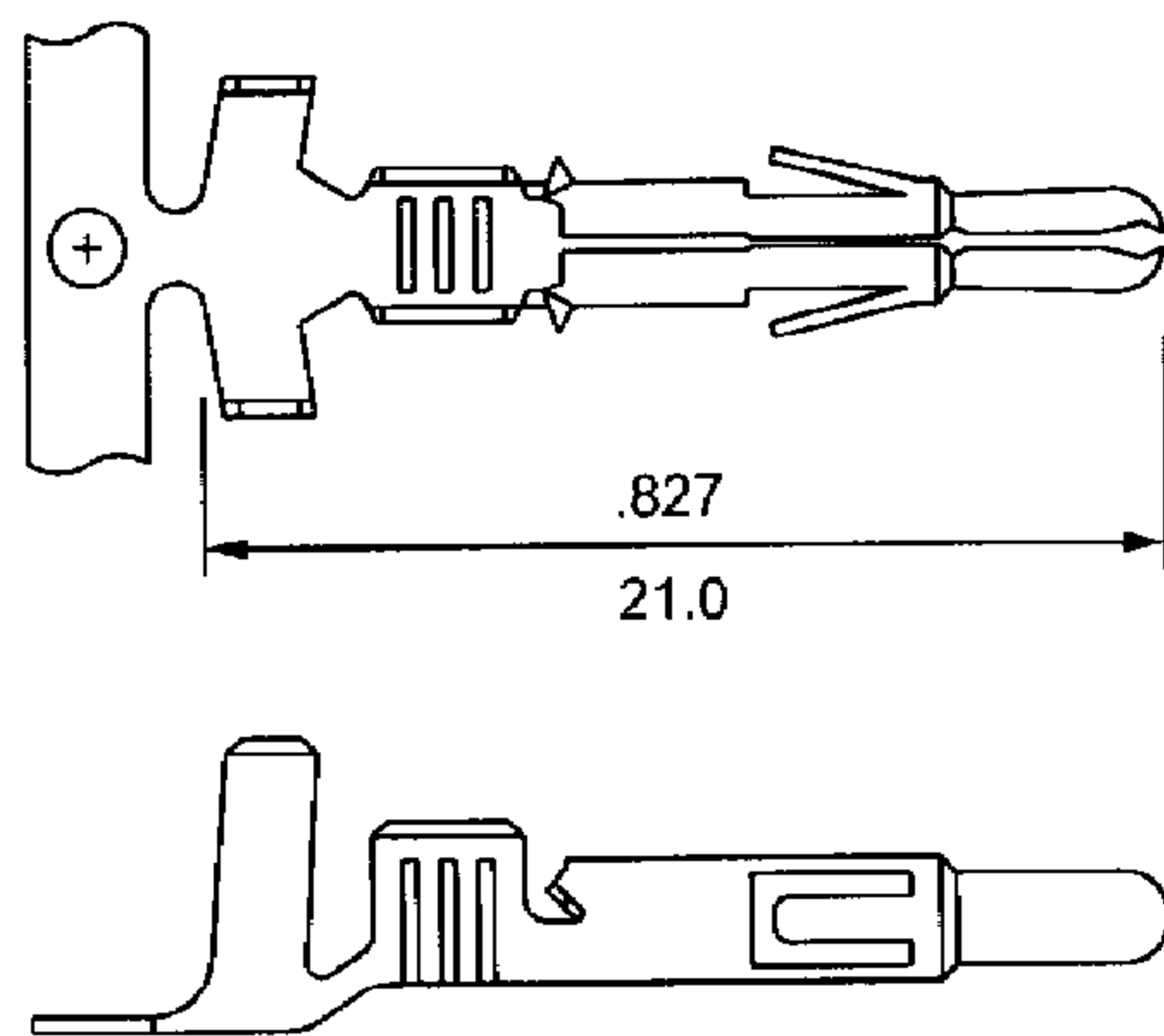
inches
mm

63501TM : Used in 63501H-N series housing
(1 ~ 5 circuits)

63501TF : Used in 63501H-N series housing
(1 ~ 15 circuits)



63501TMD : Used in 63501H-N series housing
(6 ~ 15 circuits)



Ordering Information

Part No.	Material	Finished	Thickness	Wire range
63501TM1	Brass	Tin-plated	0.3mm	#18 ~ #22
63501TM2				#16 ~ #20
63501TM3				#12 ~ #14
63501TMD1				#18 ~ #22
63501TMD2				#16 ~ #20
63501TMD3				#12 ~ #14
63501TF1				#18 ~ #22
63501TF2				#16 ~ #20
63501TF3				#12 ~ #14

63501H-N Series

Features/Dimensions:

- Integrally molded polarization
- 94V-2 nylon 66
- Accept 63501T.25"(6.35mm) crimp type terminals
- 1, 2, 3, 4, 5, 6, 8, 9, 10, 12, 15 circuits available
- Friction lock
- Standard color: Nature

Circuits	Dimensional Information	
	Plug	Receptacle
1	<p>63501HF-01</p> <p>inches mm</p>	<p>63501HM-01</p> <p>inches mm</p>