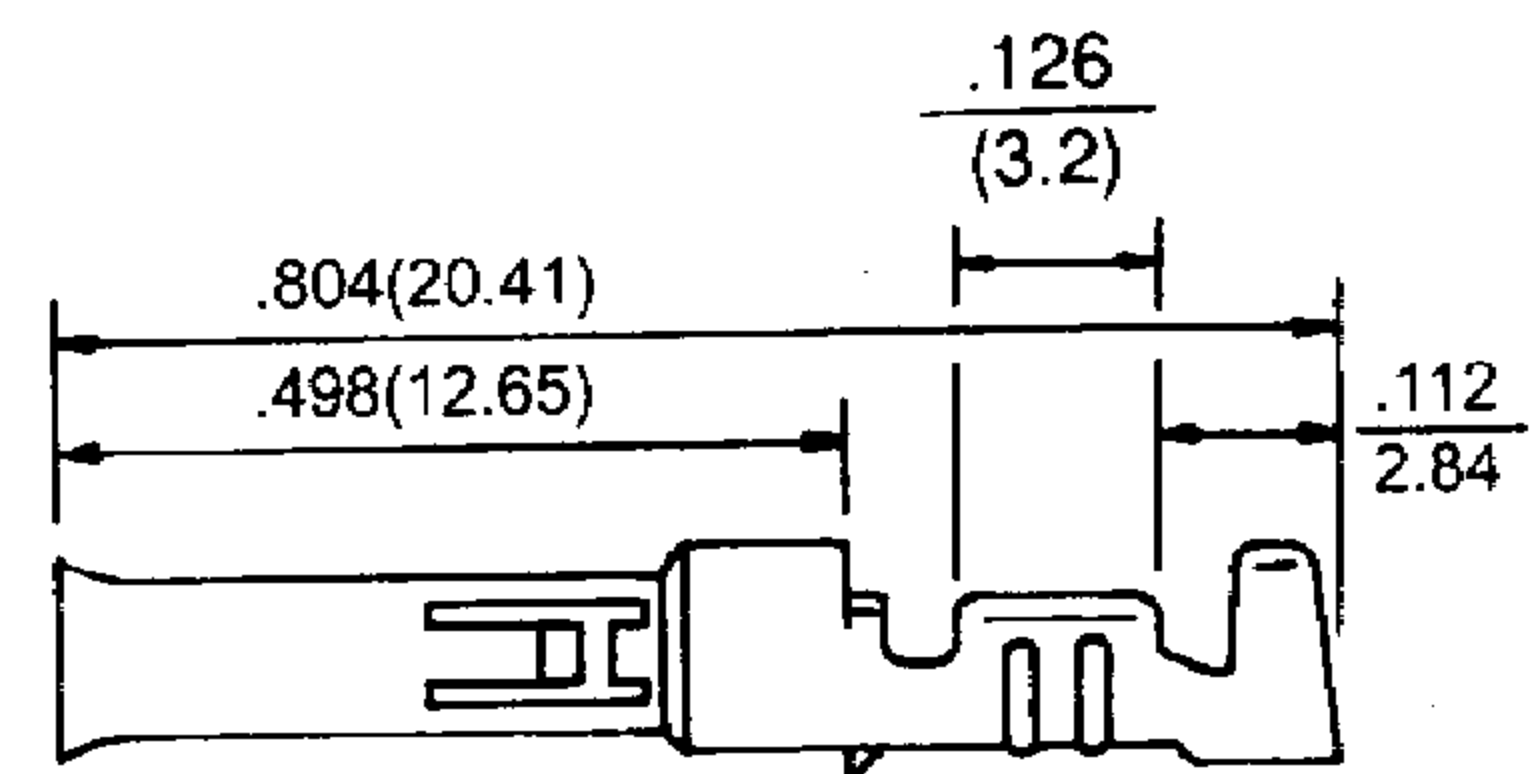
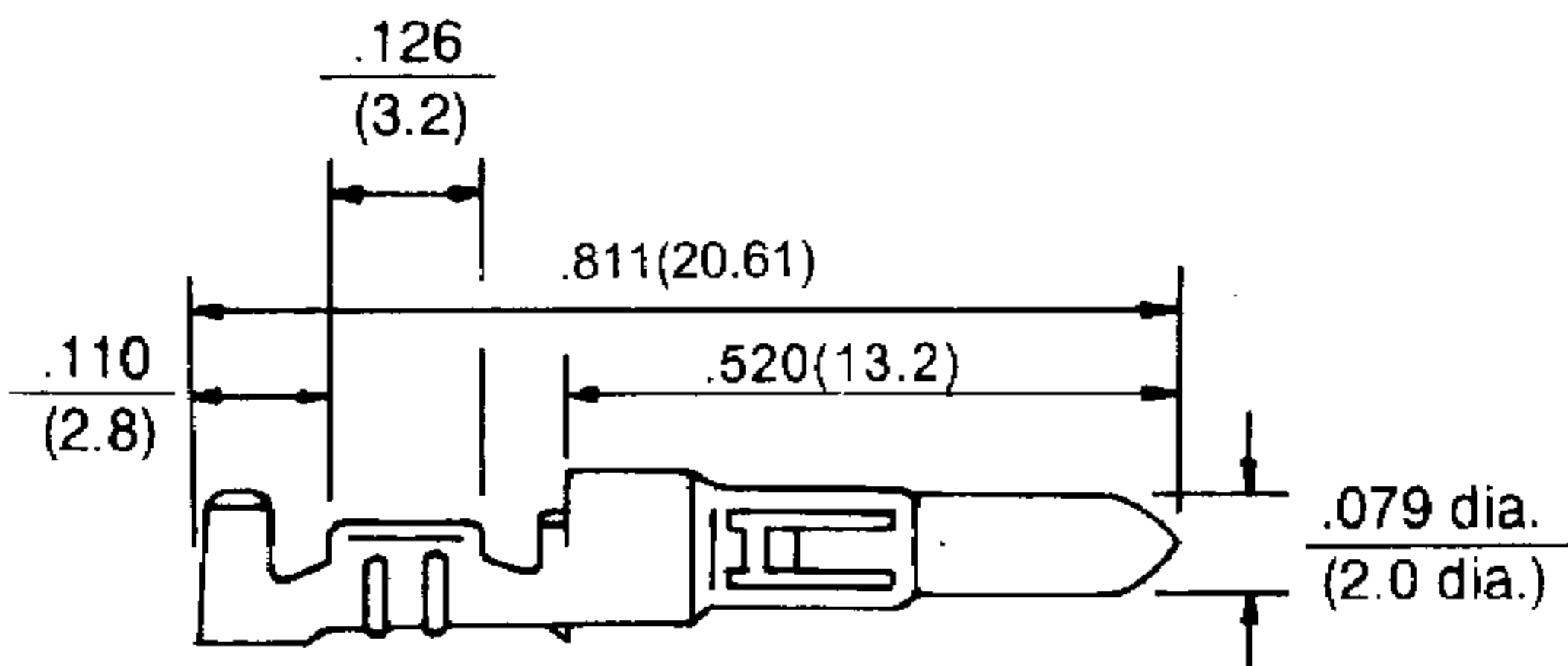


.244" (6,2 mm) Pitch Connection System

62001TM • 62001TM2 use with 14-20 AWG wire
 • 62001TM1 use with 20-24 AWG wire

62001TF • 62001TF2 use with 14-20 AWG wire
 • 62001TF1 use with 20-24 AWG wire



Specifications

- Current rating: 15A AC, DC max.
- Voltage rating: 300V AC, DC (Single pole: 600V)
- Temperature range: -25°C ~ +90°C (including temperature rise)
- Contact resistance: Initial value/10mΩ max. After environmental testing/20 mΩ max.
- Insulation resistance: 1,000MΩ min.
- Withstand voltage: 1,500V AC/minute
- Applicable wires: AWG #24 ~ #14
0.2 ~ 2.0 mm²
- Applicable panel thickness: .031" ~ .079" (0.8 ~ 2.0mm)

62001H-N Series

- Integrally molded polarization
- 94V-2 and 94V-0 nylon
- Accept 62001T crimp type terminal
- 1, 2, 3, 4, 6, 9, 12, 15 circuit versions
- Standard color natural. Can be color coded in black, brown, green, gray, orange, amber, red or yellow
- Positive locking

Circuits	Max. Rated		Dimensional Information				
	Amps	Voltage	Plug		Receptacle		
1	15A	600V	62001HF-01			62001HM-01	
2	15A	300V	62001HFE-02 62001HF-02 (W/O Mtg. Ears)			62001HM-02	
3	14A	300V	62001HFE-03			62001HM-03	