

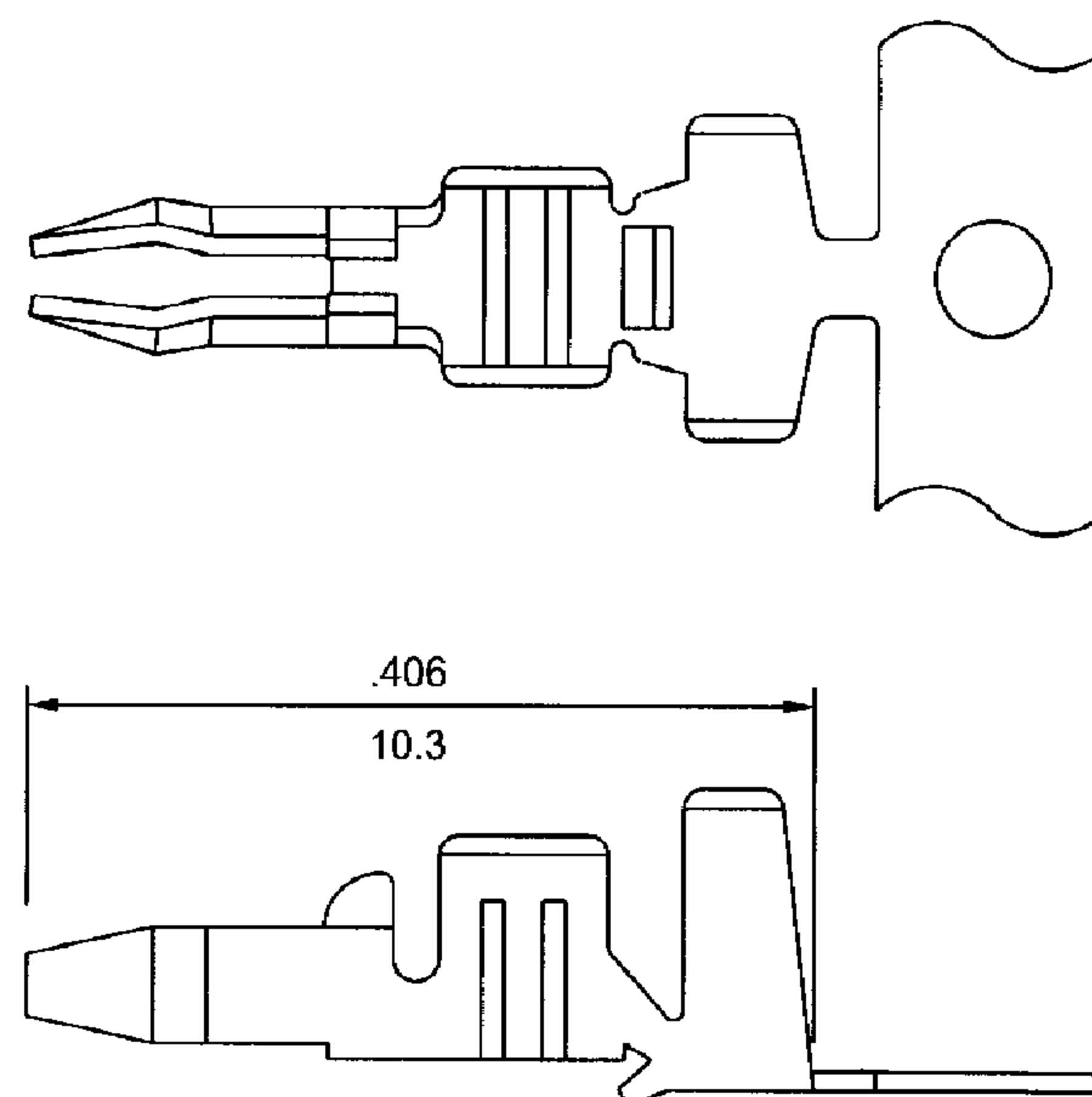
.156"(3.96mm) Board-In Type Connectors

Specifications:

- Current rating: 5A AC, DC
- Voltage rating: 300V AC, DC
- Insulation resistance: 1000MΩ min.
- Withstanding voltage: 1500V AC/minute
- Applicable P. C. B. thickness: .063"(1.6mm)
- Temperature rise: -40°C ~ 100°C max.

39608T Series Crimp Terminal

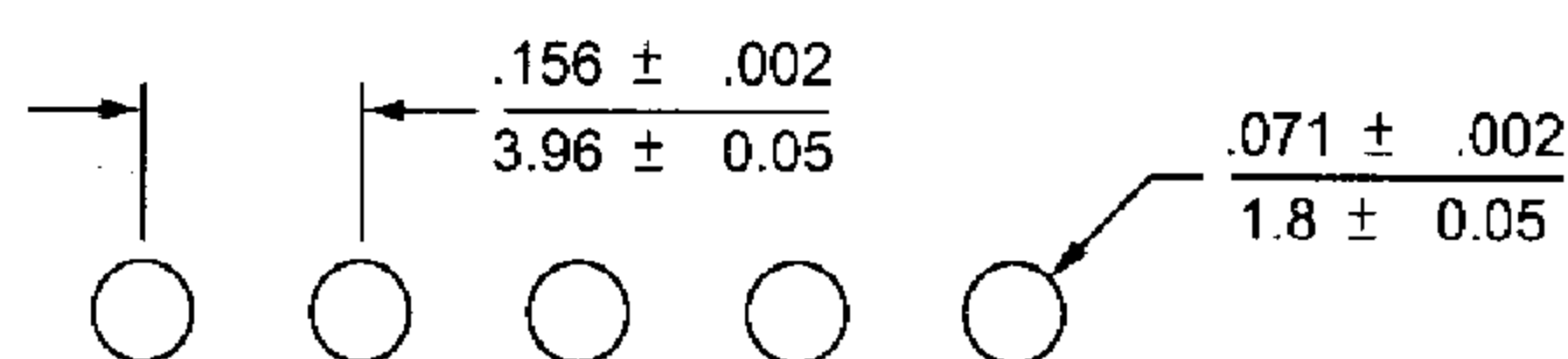
- Material: Brass
- Finished: Tin-plated
- Used in 39608H-N series housing
- Wire range: AWG #16 ~ #22
- Thickness: 0.25mm



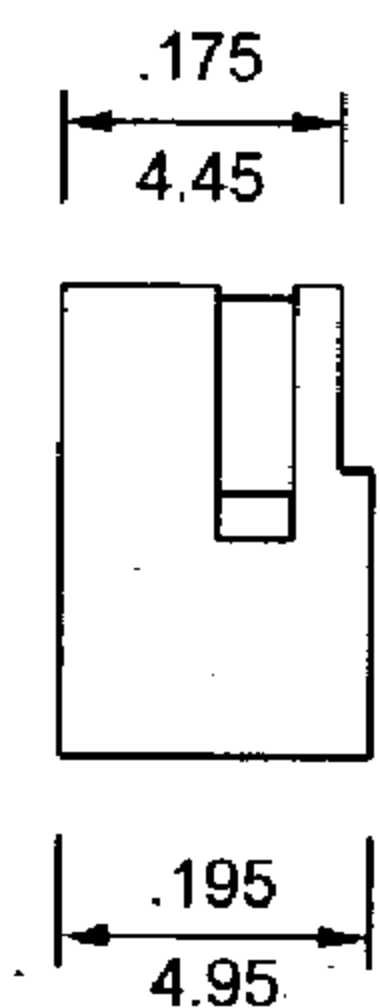
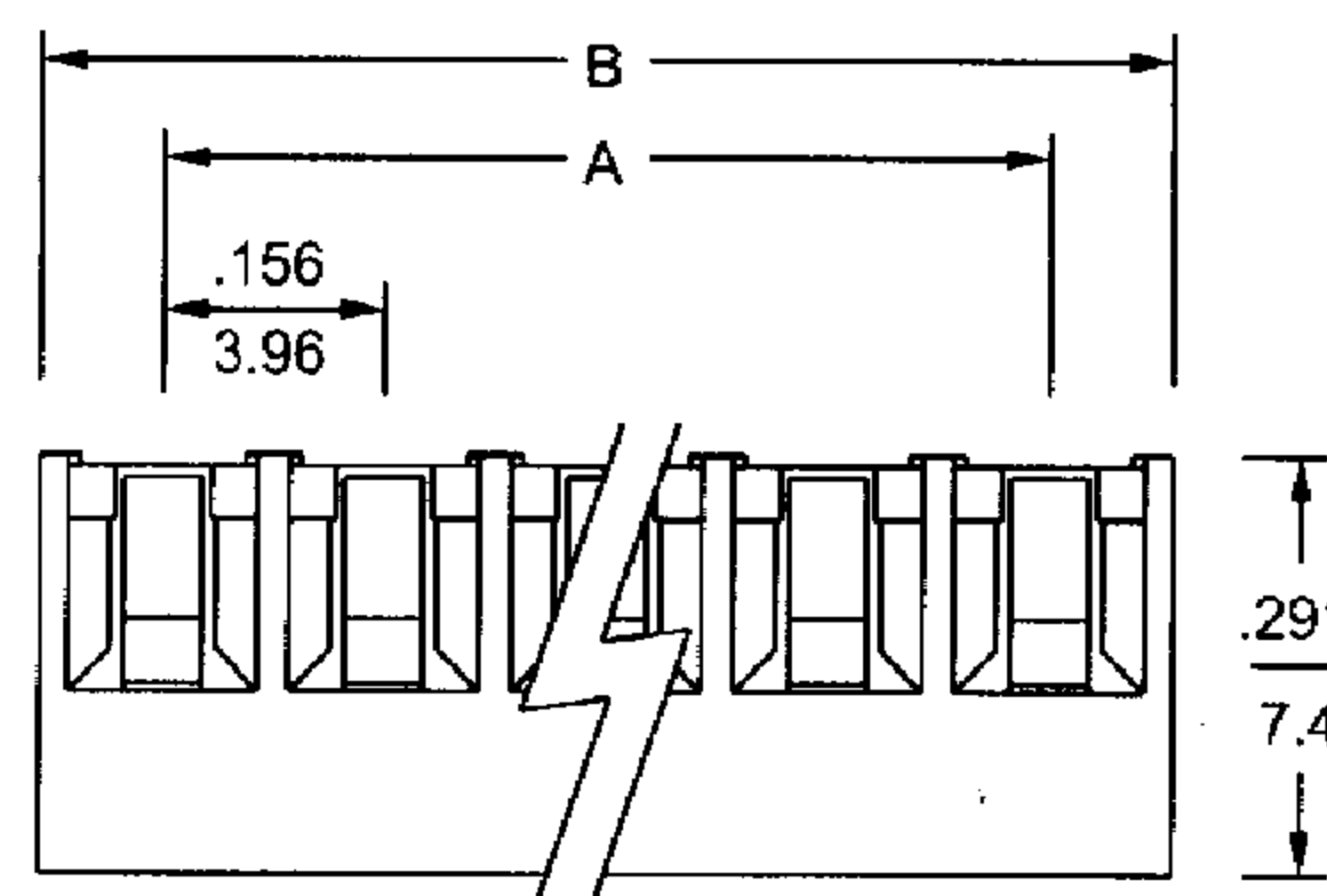
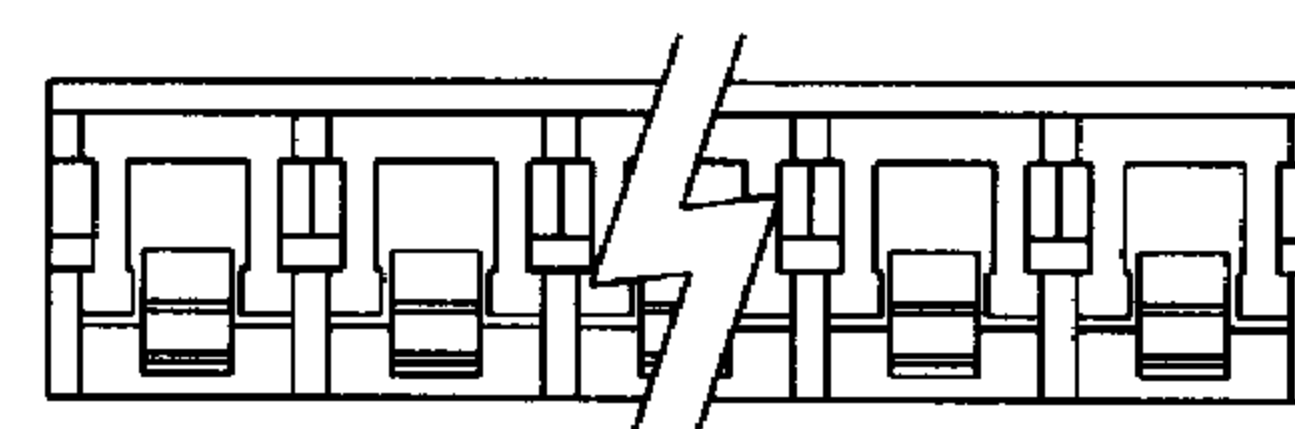
inches
mm

39608H-N Series Crimp Terminal Housing

- 2 ~ 15 circuits available
- Material: UL 94V-0 nylon 66
- Color: White
- Accepts 39608T terminal



P. C. board hole dimensions



inches
mm

Dimensional Information - in (mm)

Circuits	Dim. A	Dim. B	Circuits	Dim. A	Dim. B	Circuits	Dim. A	Dim. B
2	0.156 (3.96)	0.329 (8.36)	7	0.935 (23.76)	1.109 (28.16)	12	1.715 (43.56)	1.888 (47.96)
3	0.312 (7.92)	0.485 (12.32)	8	1.091 (27.72)	1.265 (32.12)	13	1.871 (47.52)	2.044 (51.92)
4	0.468 (11.88)	0.641 (16.28)	9	1.247 (31.68)	1.420 (36.08)	14	2.027 (51.48)	2.200 (55.88)
5	0.624 (15.84)	0.797 (20.24)	10	1.403 (35.64)	1.576 (40.04)	15	2.183 (55.44)	2.356 (59.84)
6	0.780 (19.80)	0.953 (24.20)	11	1.559 (39.60)	1.732 (44.00)			