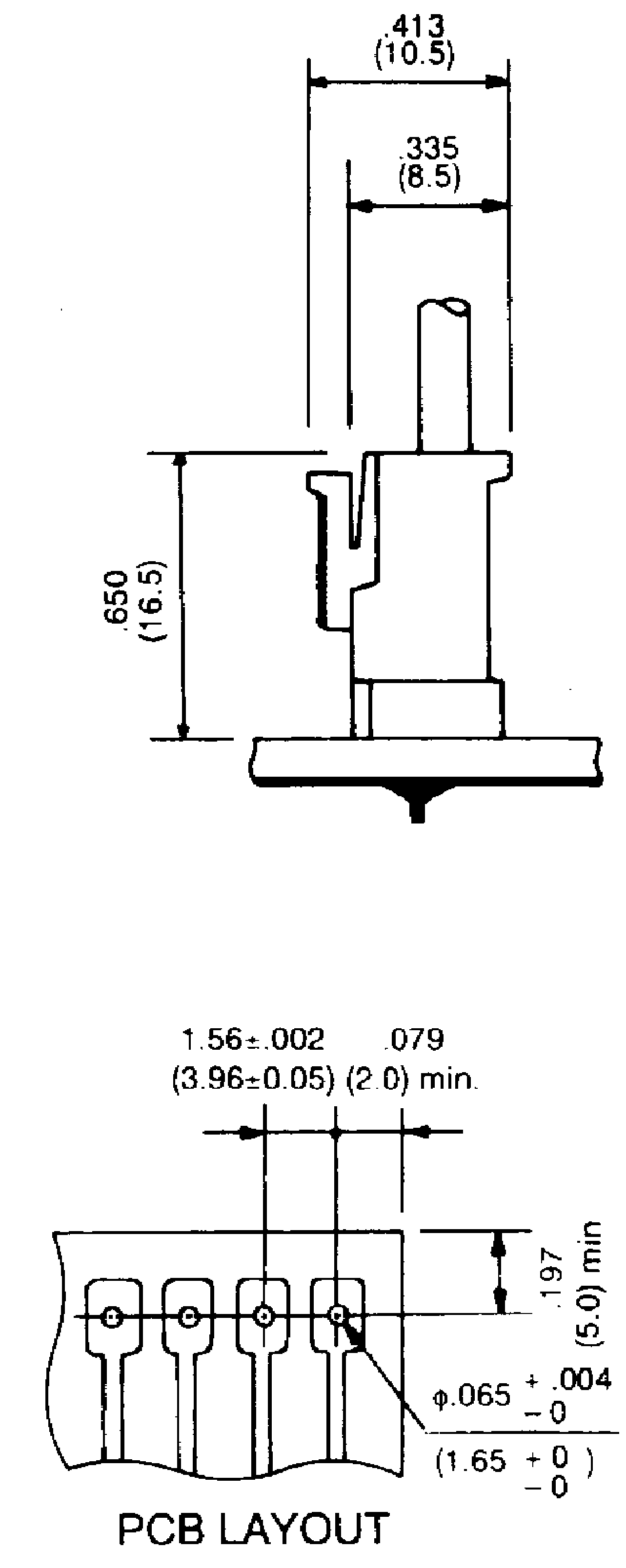
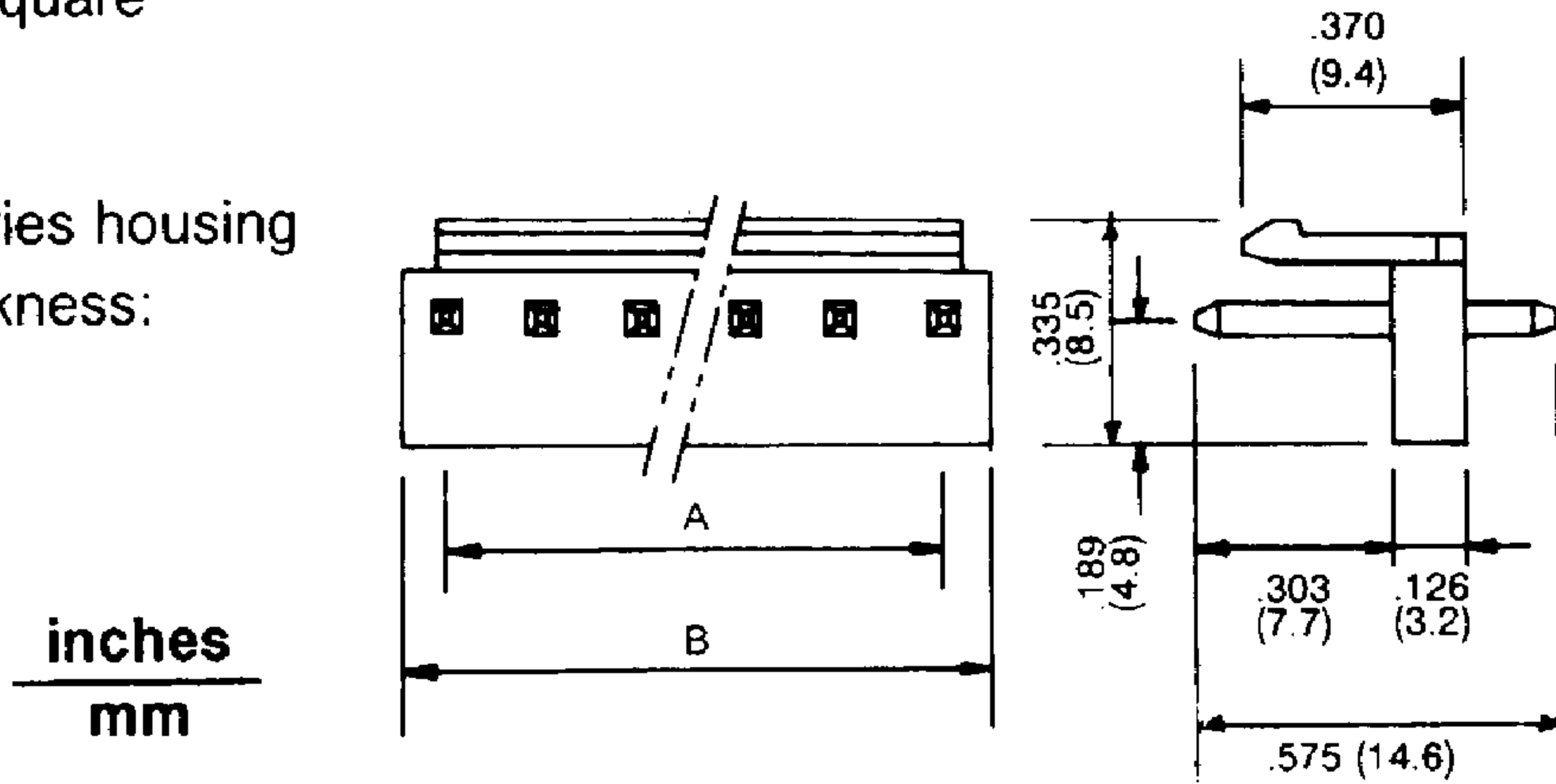


.156" (3,96mm) Center Headers

39606WS-N Series

Straight Pin Friction Lock Header

- 94V-0 nylon
- .045" (1.14mm) straight square wire pins
- 2-10 circuits available
- Mates with 39606H-N series housing
- Applicable PC board thickness: .063" (1.6mm)



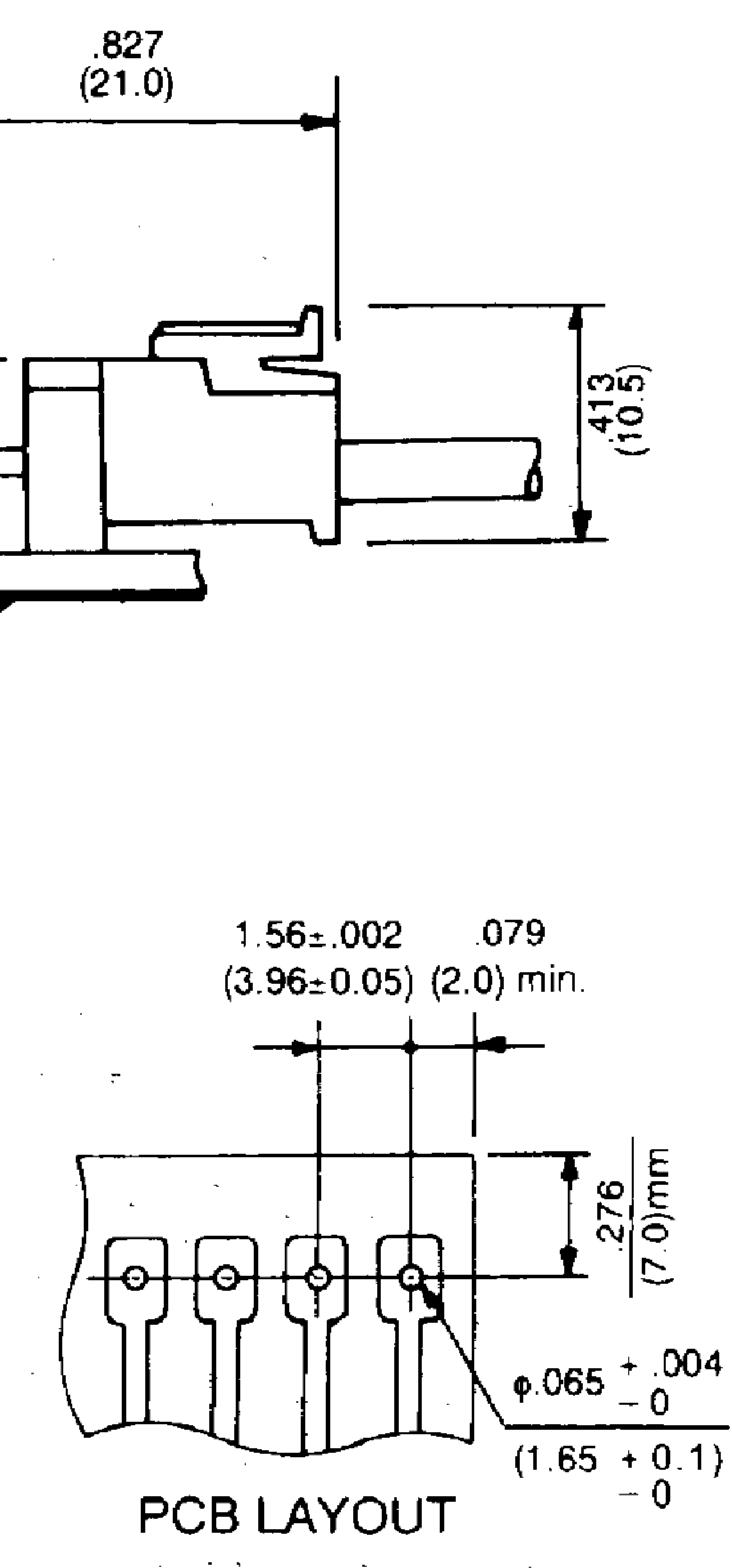
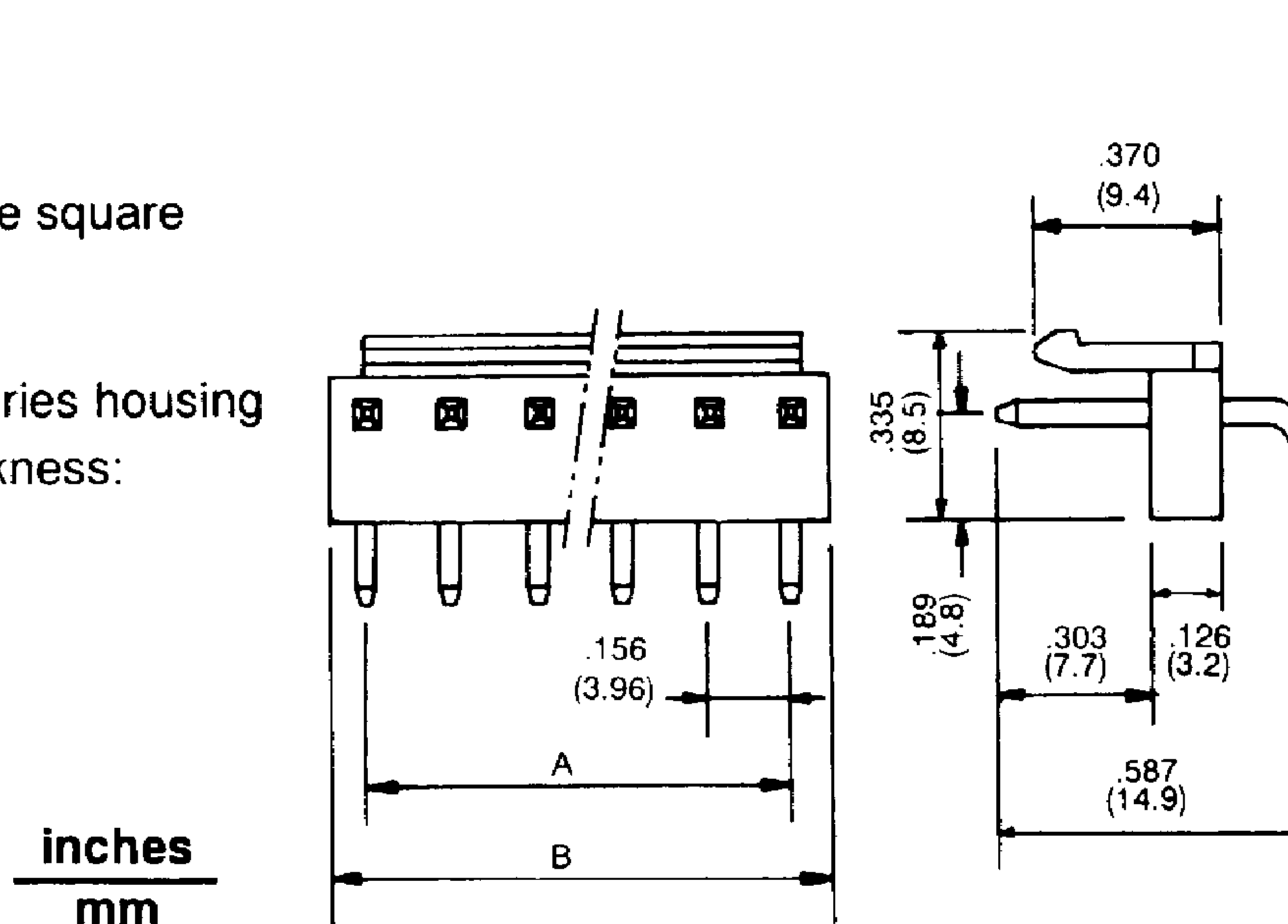
Dimensional Information - in. (mm)

Circuits	Dim. A	Dim. B	Circuits	Dim. A	Dim. B
2	.156 (3.96)	.312 (7.92)	7	.935 (23.76)	1.091 (27.72)
3	.312 (7.92)	.468 (11.88)	8	1.091 (27.72)	1.247 (31.68)
4	.468 (11.88)	.624 (15.84)	9	1.247 (31.68)	1.403 (35.64)
5	.624 (15.84)	.780 (19.80)	10	1.403 (35.64)	1.559 (39.60)
6	.780 (19.80)	.935 (23.76)			

39606WR-N Series

Right Angle Pin Friction Lock Header

- 94-V0 nylon
- .045" (1.14mm) right angle square wire pins
- 2-10 circuits available
- Mates with 39606H-N series housing
- Applicable PC board thickness: .063" (1.6mm)



Dimensional Information - in. (mm)

Circuits	Dim. A	Dim. B	Circuits	Dim. A	Dim. B
2	.156 (3.96)	.312 (7.92)	7	.935 (23.76)	1.091 (27.72)
3	.312 (7.92)	.468 (11.88)	8	1.091 (27.72)	1.247 (31.68)
4	.468 (11.88)	.624 (15.84)	9	1.247 (31.68)	1.403 (35.64)
5	.624 (15.84)	.780 (19.80)	10	1.403 (35.64)	1.559 (39.60)
6	.780 (19.80)	.935 (23.76)			