

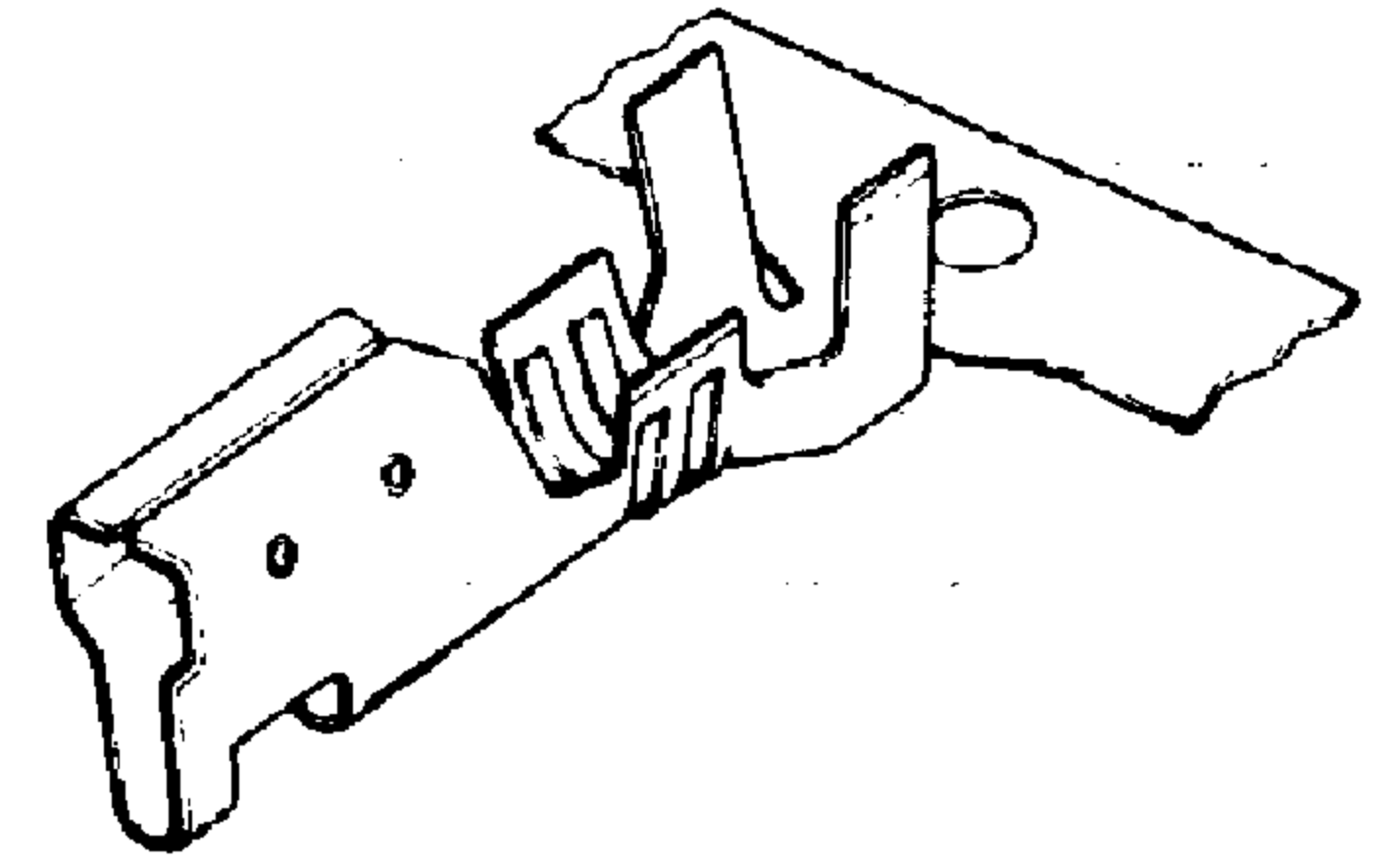
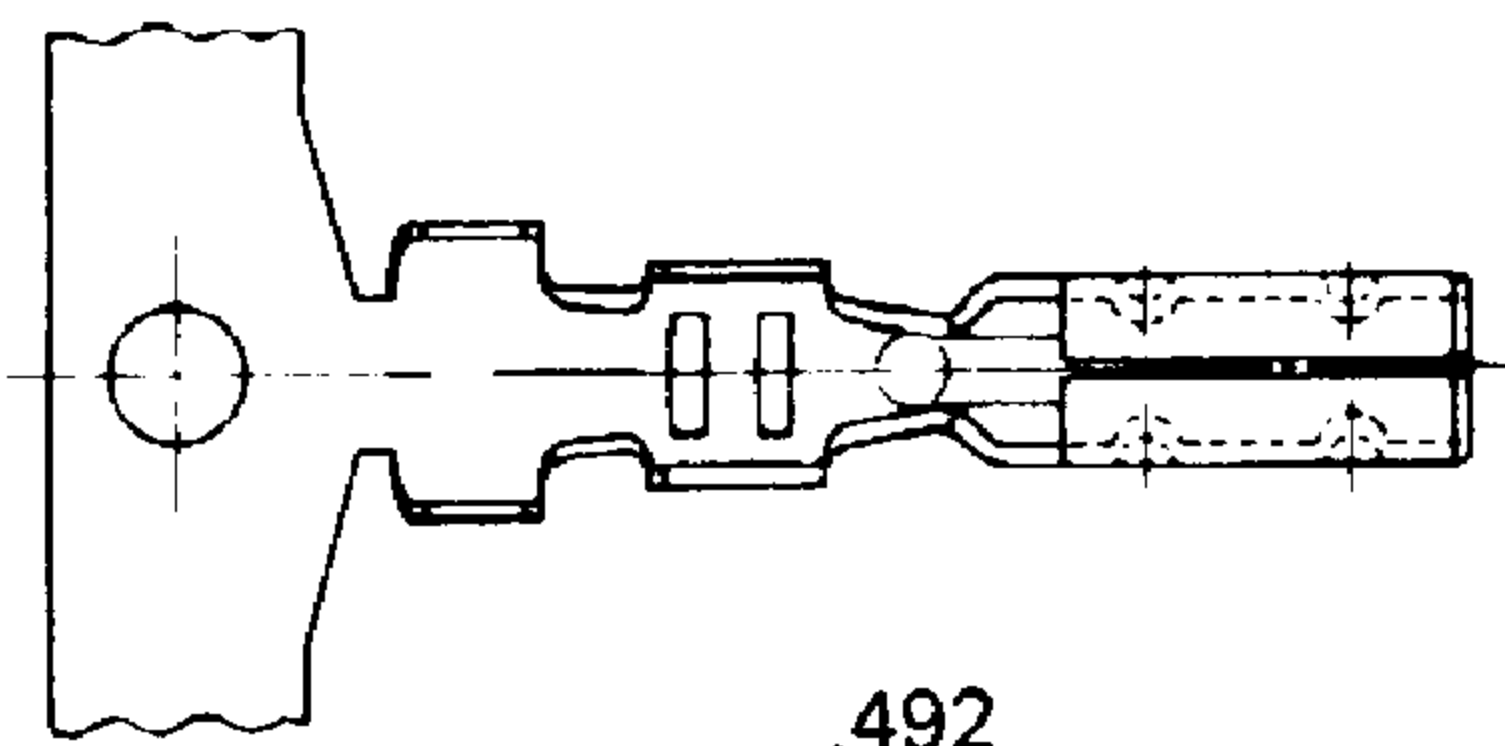
Standard Spox Crimp Terminal

39604T Series Crimp Terminal

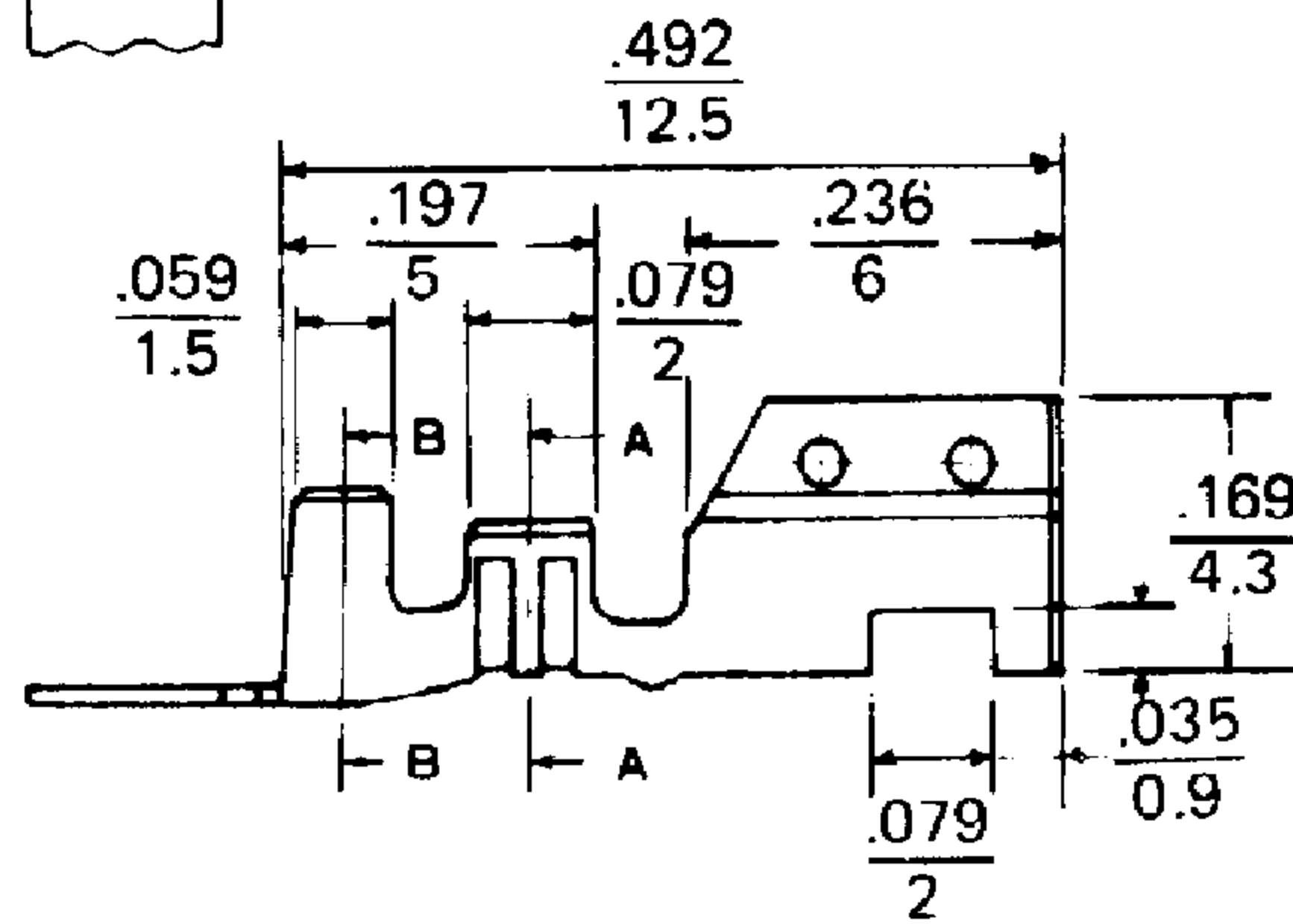
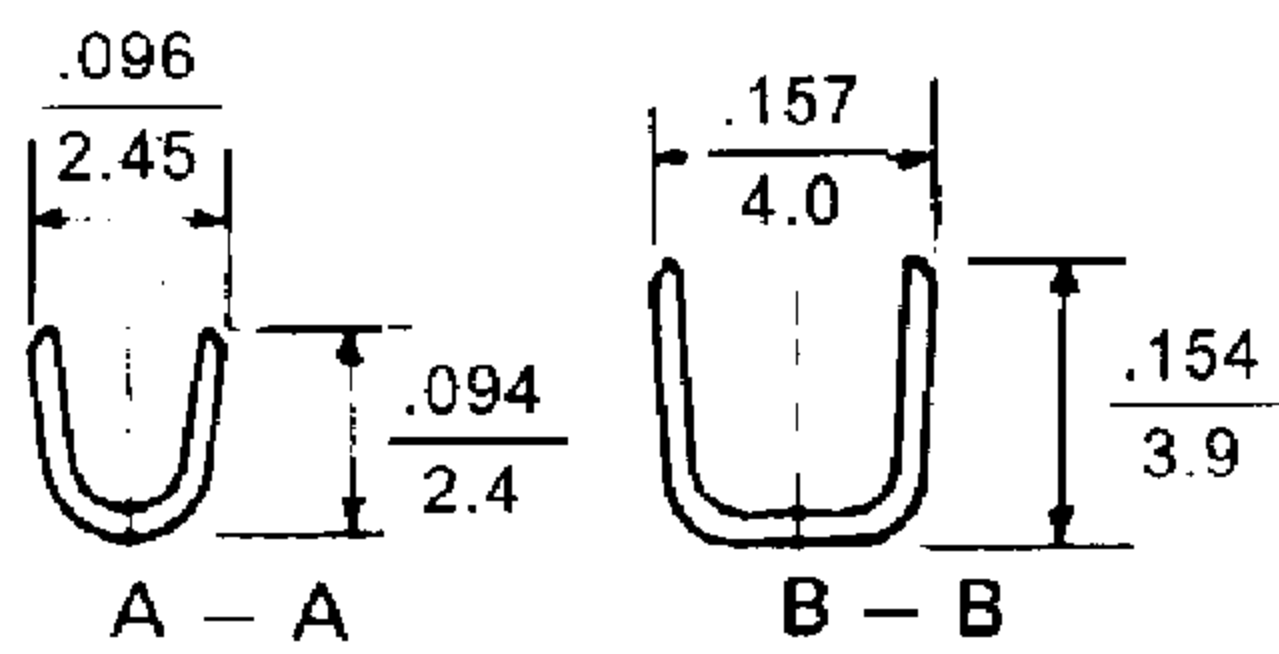
inches
mm

Features/Dimensions

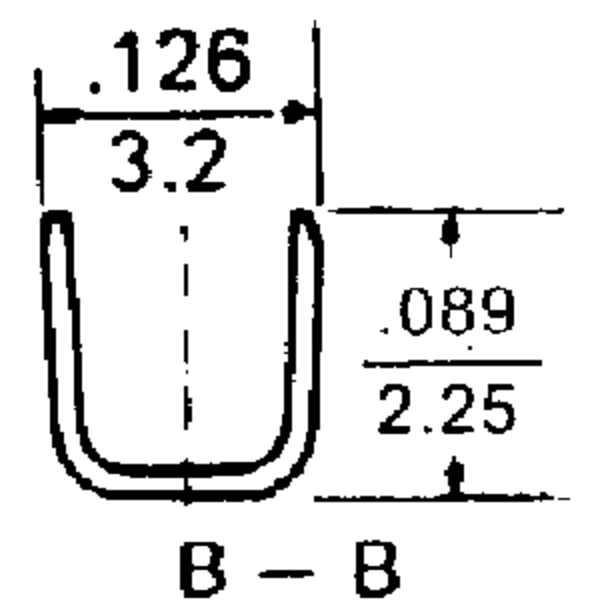
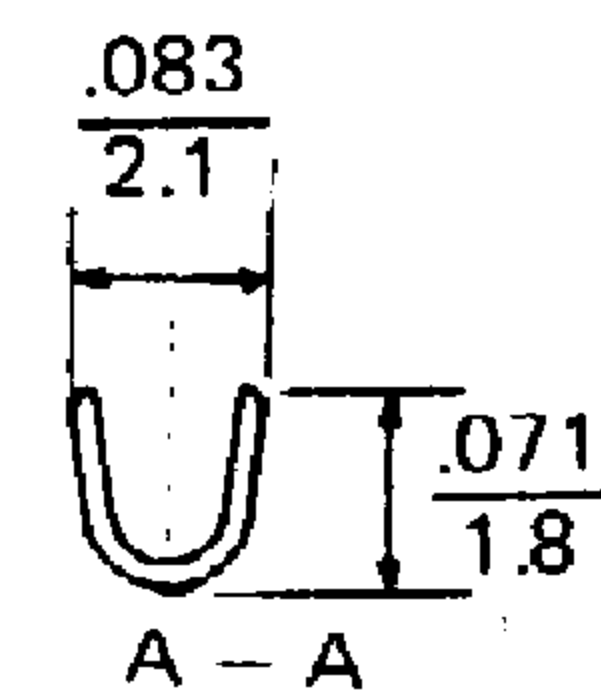
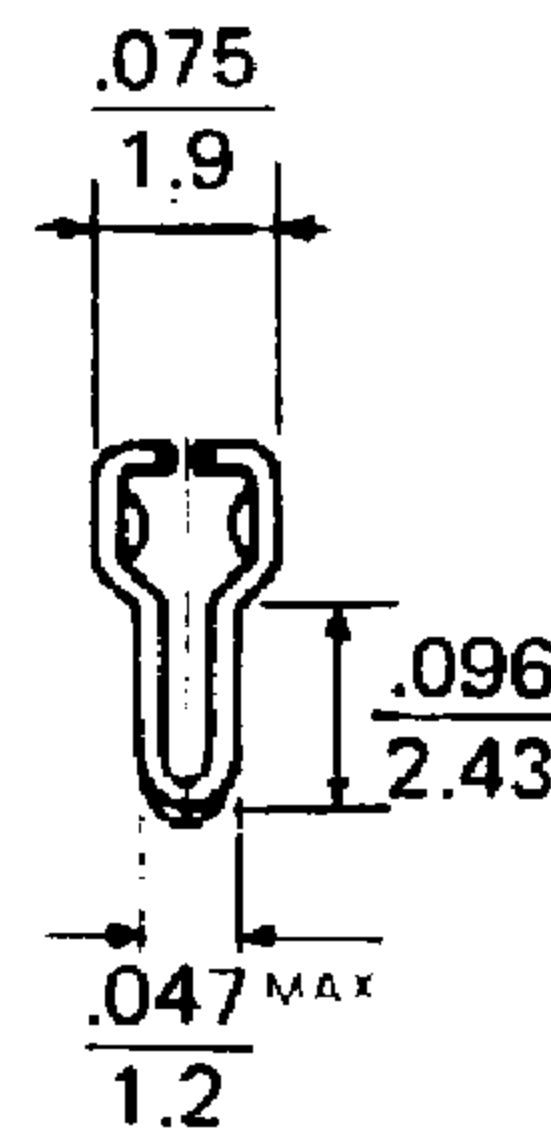
- 4 point contact
- Used in 39604H-N series housing
- Wire range: #18-#28 AWG
- Anti-fishhooking contact design



39604T 2



39604T 1

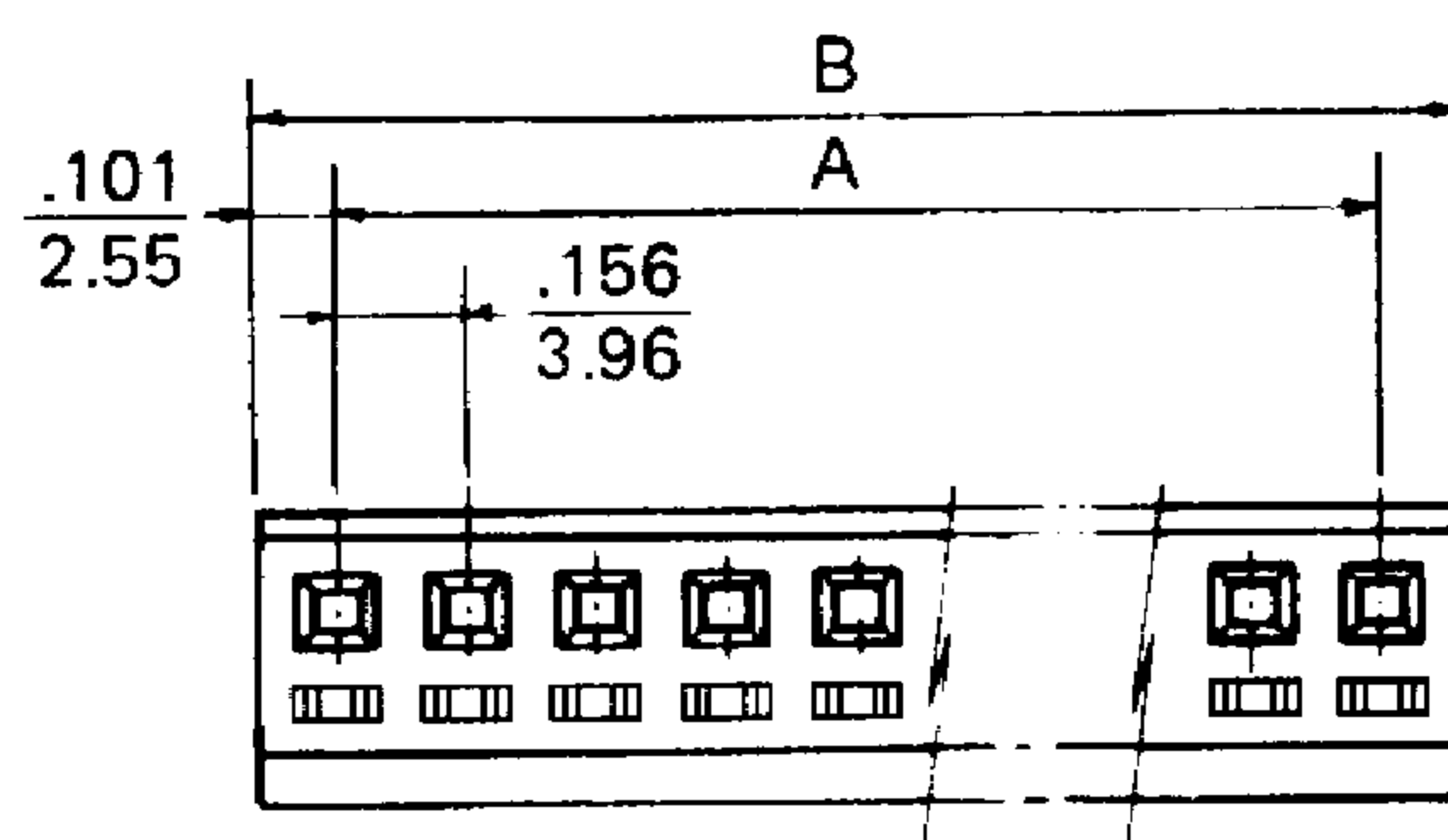


Terminal	Wire Gauge	Insulation Diameter	Contact Material
39604T 2	AWG #18 ~ #24	φ 1,3 mm ~ 3,2 mm	Tin Plated Brass
39604T 1	AWG #22 ~ #28	φ 1,2 mm ~ 2,6 mm	

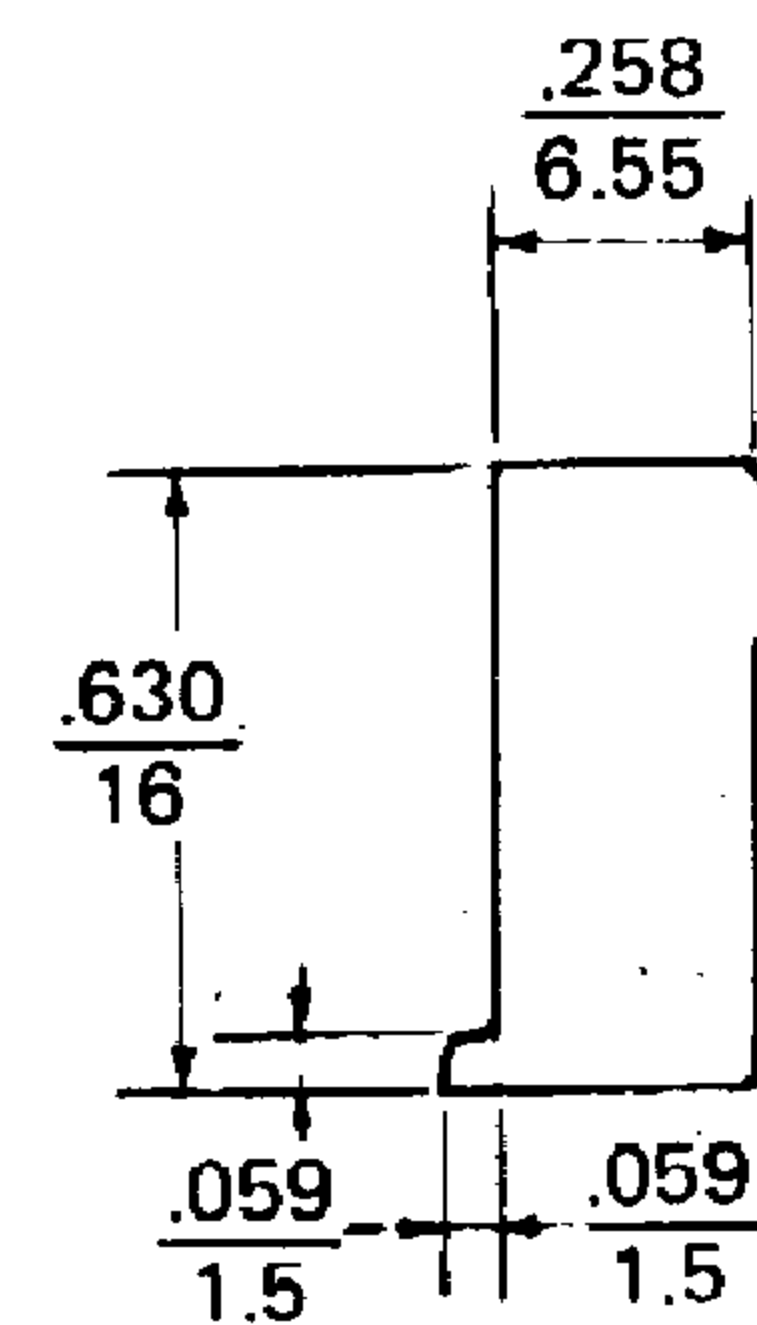
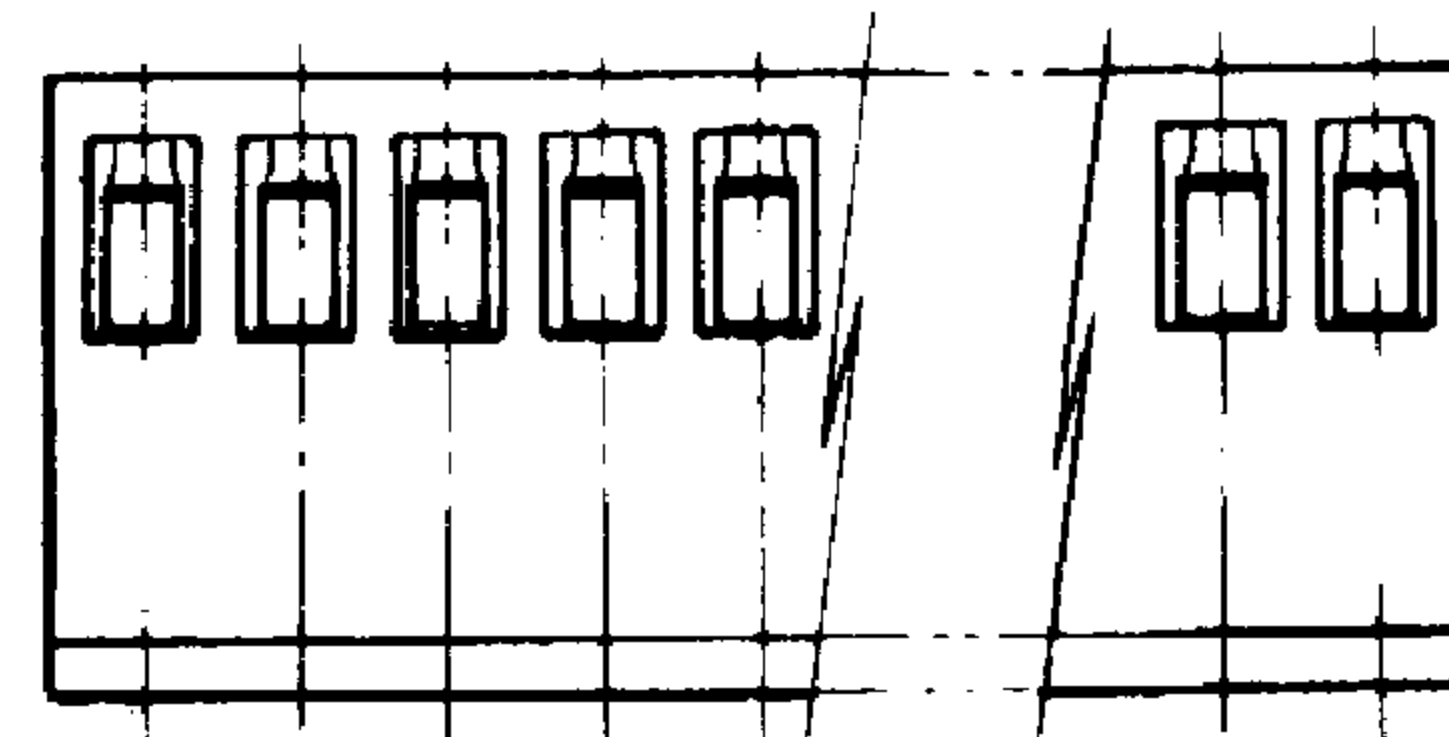
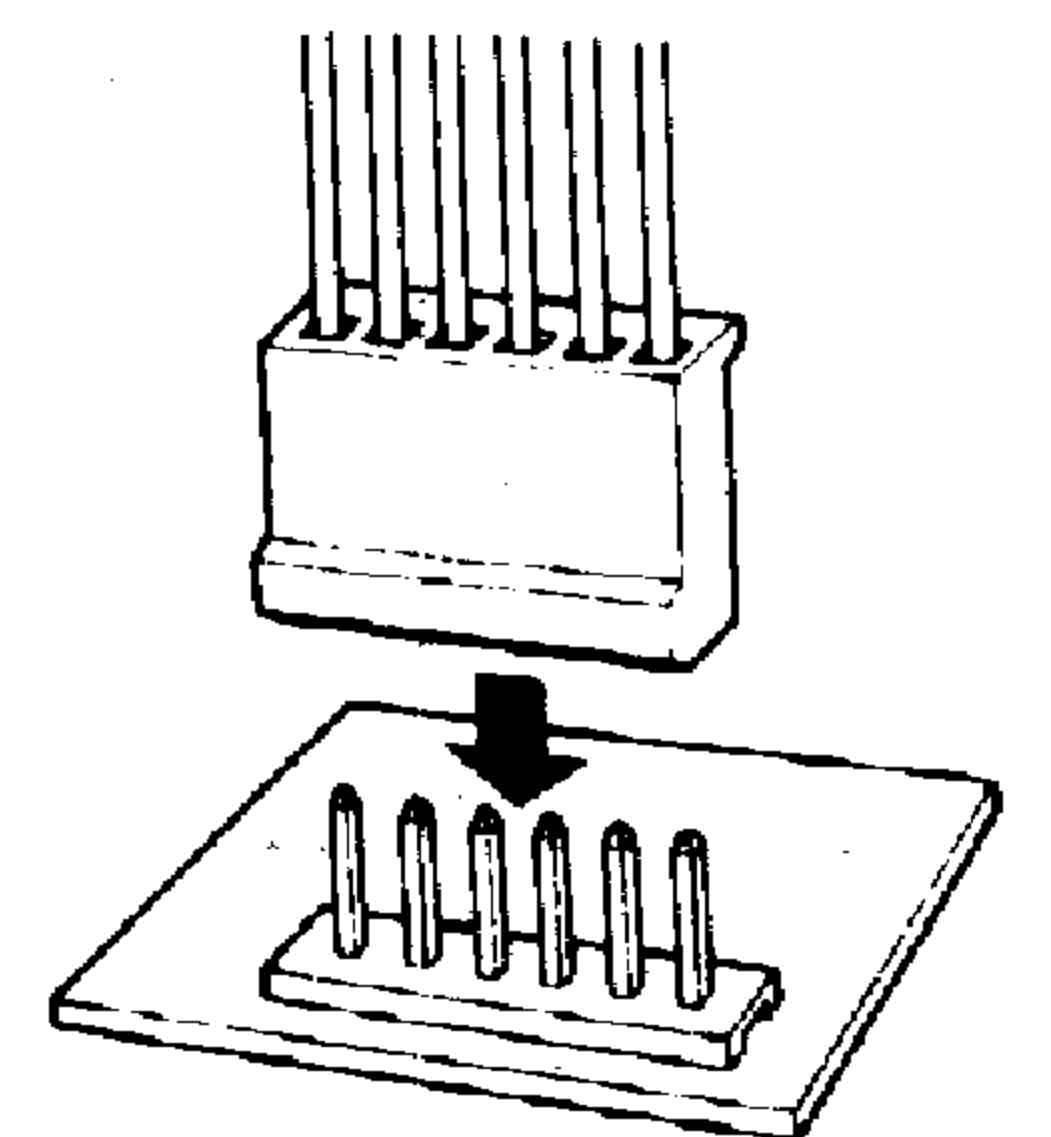
39604H-N Series Crimp Terminal Housing

Features/Dimensions

- 2-15 Circuits
- With locking ramp
- Molded in locking arm for terminal
- UL 94V-2 nylon 6/6
- Accepts spox terminal 39604T
- Mates with 39601W series headers



inches
mm



Dimensional Information - in. (mm)

Circuits	Dim. A	Dim. B
2	.156 (3,96)	.357 (9,06)
3	.312 (7,92)	.513 (13,02)
4	.468 (11,88)	.669 (16,98)
5	.624 (15,84)	.824 (20,94)
6	.780 (19,80)	.980 (24,90)
7	.935 (23,76)	1.136 (28,86)
8	1.091 (27,72)	1.292 (32,82)

Circuits	Dim. A	Dim. B
9	1.247 (31,68)	1.448 (36,78)
10	1.403 (35,64)	1.604 (40,74)
11	1.560 (39,60)	1.760 (44,70)
12	1.715 (43,56)	1.916 (48,66)
13	1.871 (47,52)	2.072 (52,62)
14	2.027 (51,48)	2.228 (56,58)
15	2.183 (55,44)	2.383 (60,54)