

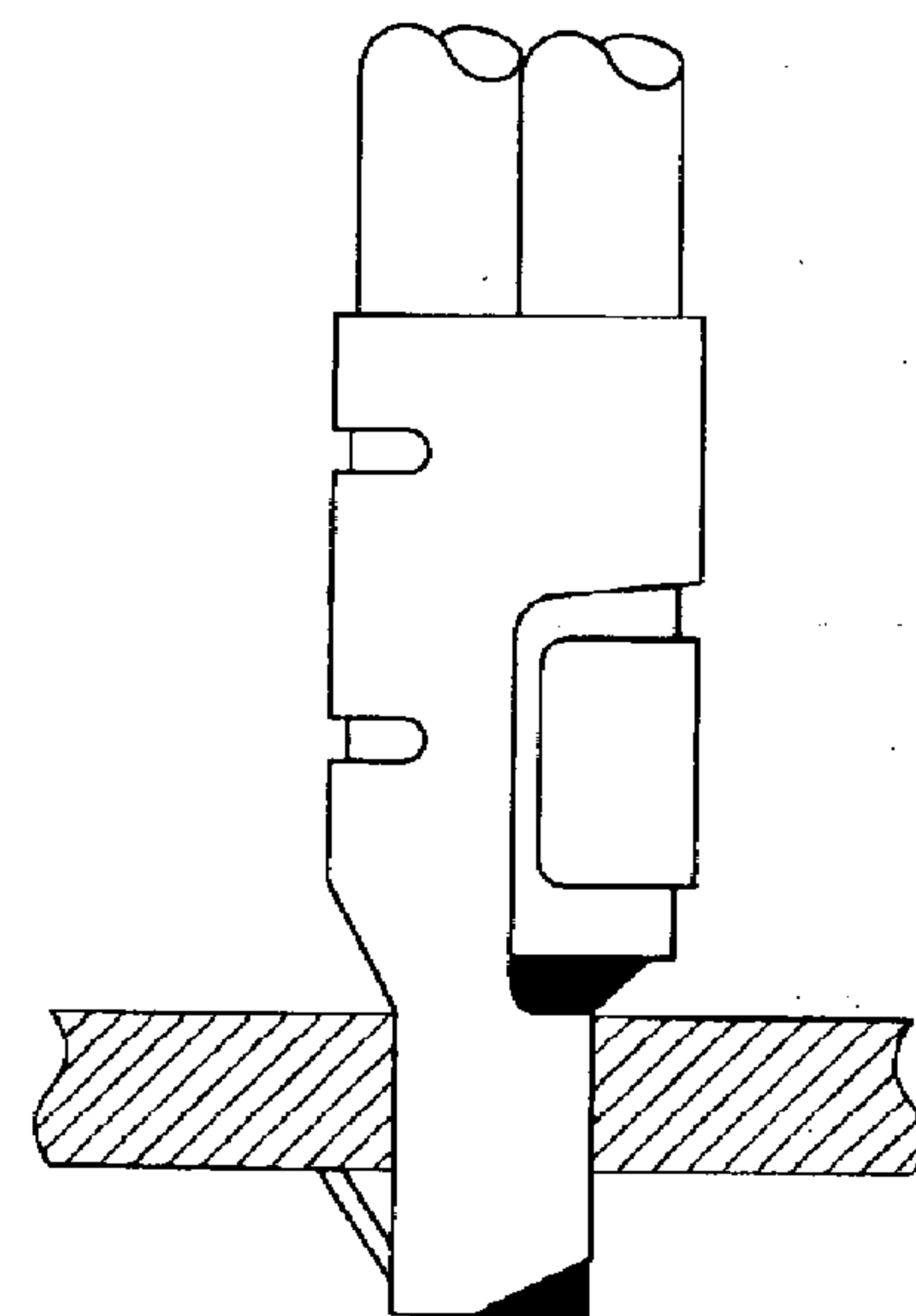
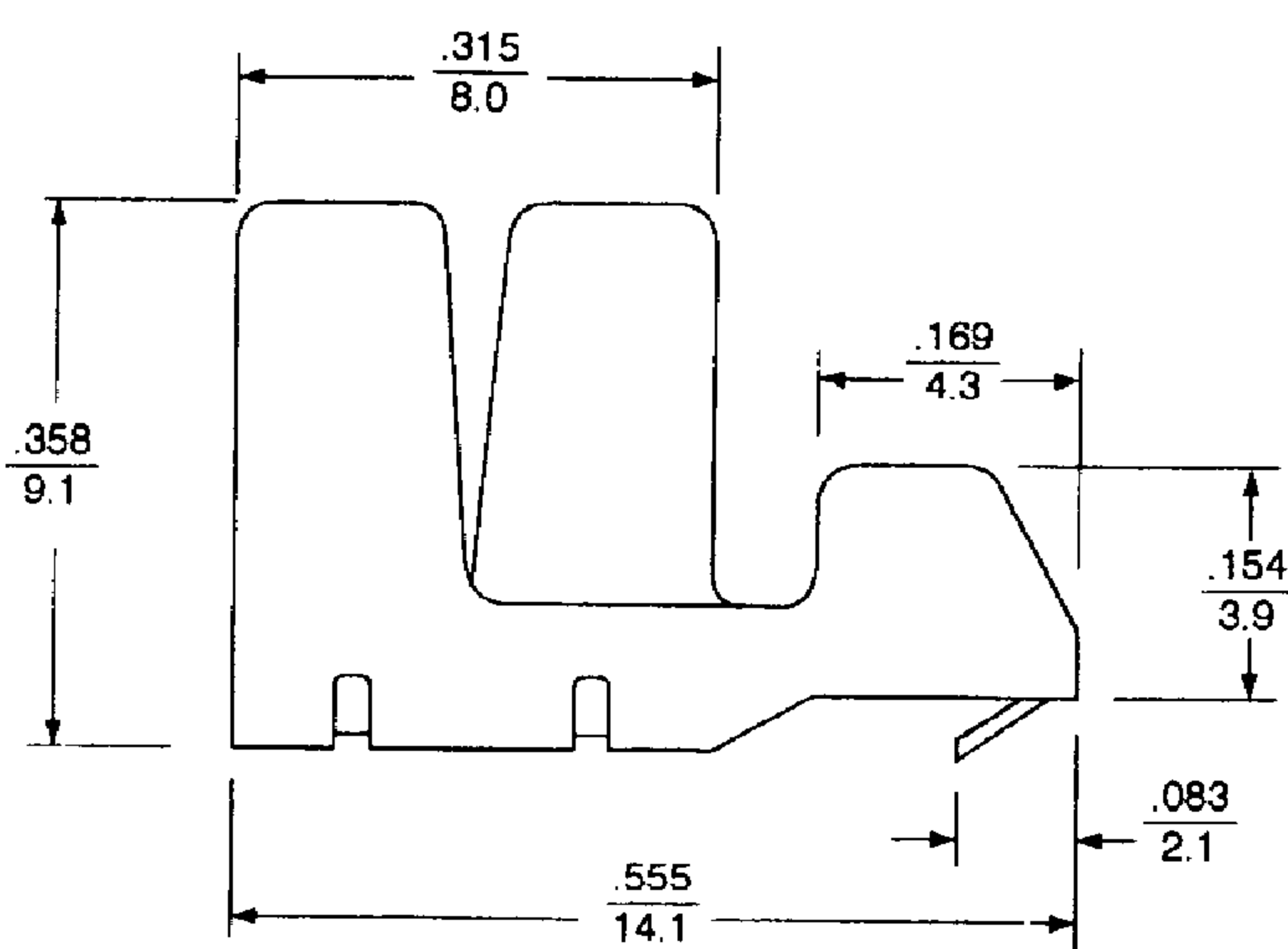
Stand-Alone Board-In Crimp Terminals

32001TBI Series

P.C. Board Multi-Crimp Terminal

- Secure wire to P.C. Board before wave soldering
- Rapid and economical means of hand wiring P.C. Board
- Wire solders directly to P.C. Board
- No additional contact resistance
- Low profile
- Recommended P.C. Board hole diameter ϕ 3.2+0.1/-0 mm

- Applicable P.C. Board thickness 1.6mm
- Accepts wire size #12 ~ #14 AWG or bundle wire range: #18 AWG x4 max.
- A maximum protrusion below the P.C. Board of 2.2mm
- Material: Pre-tinned 0.3mm brass
- Q'ty: 1800 PCS/Reel

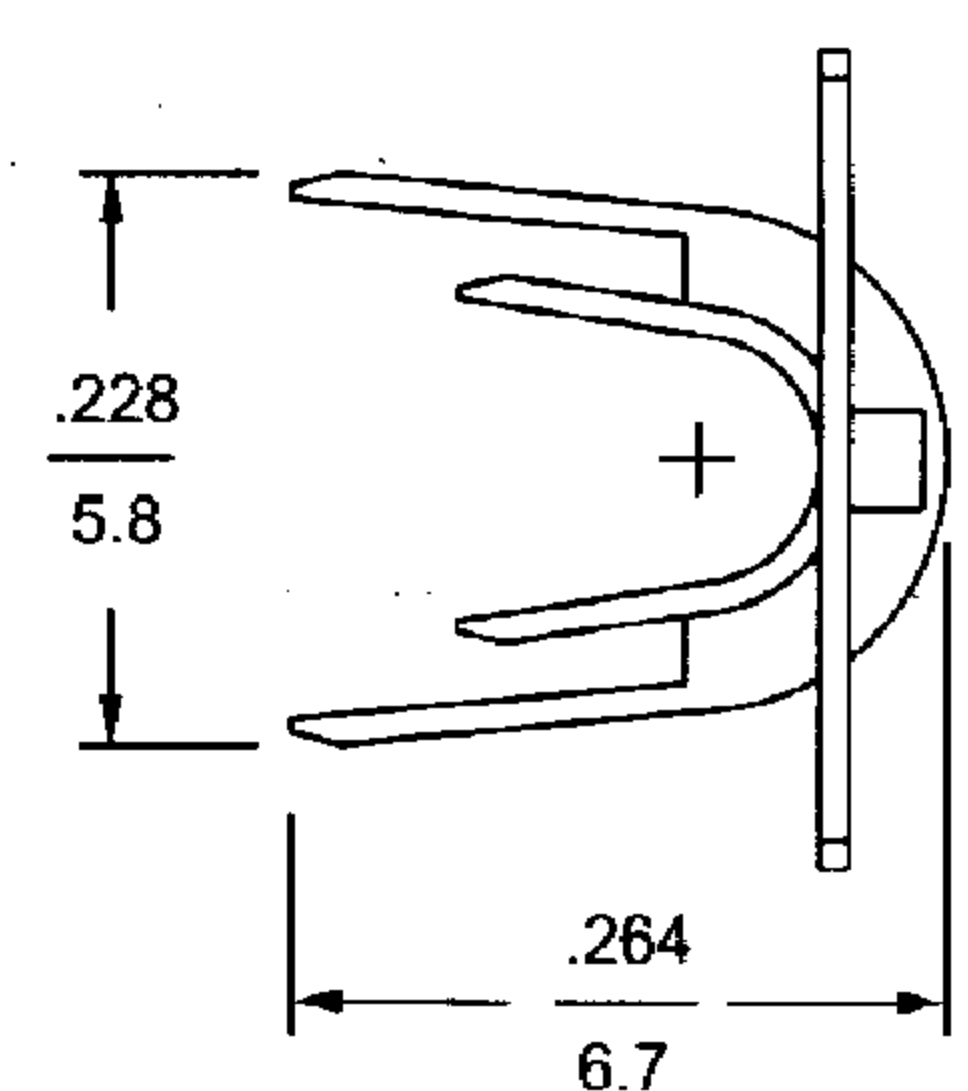
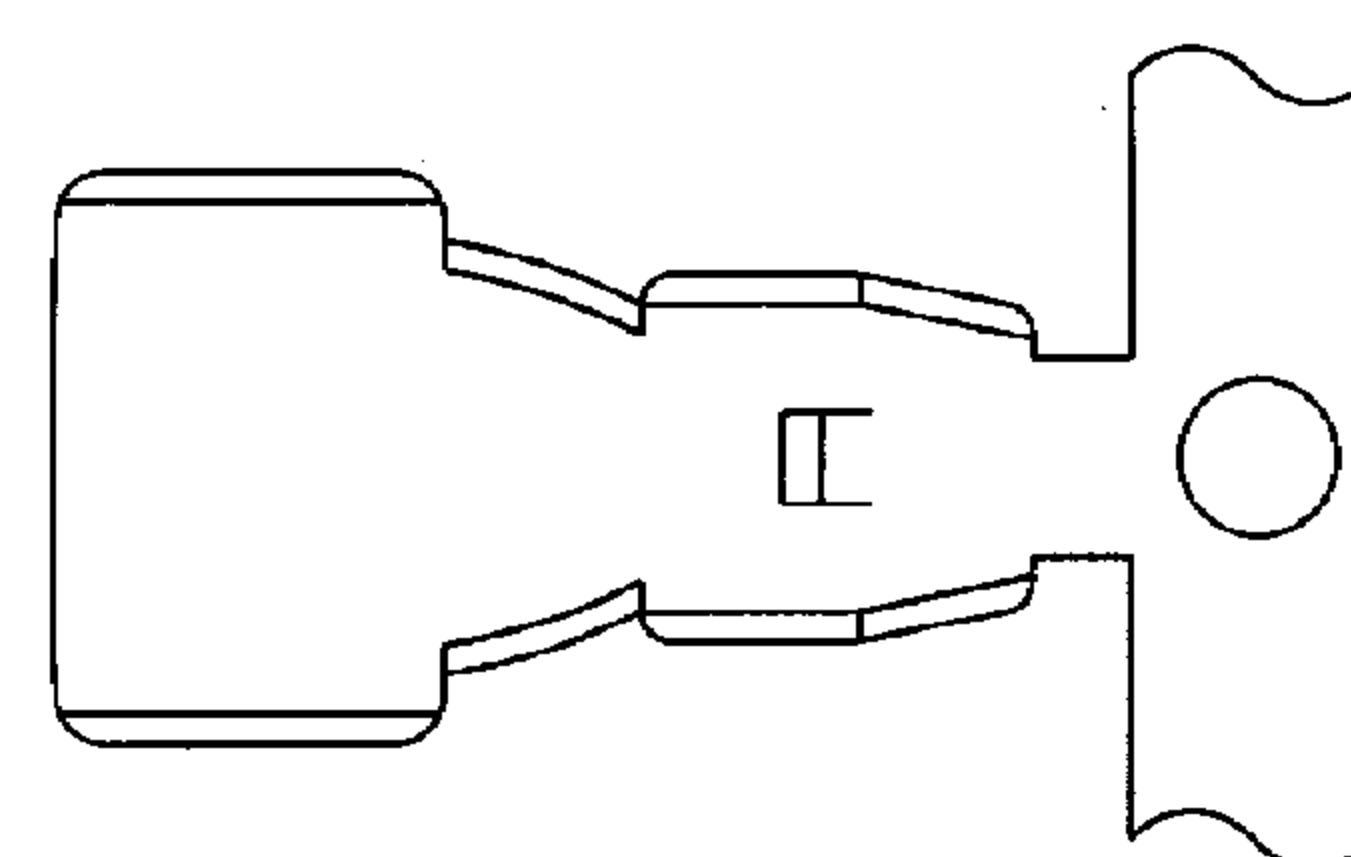


inches
mm

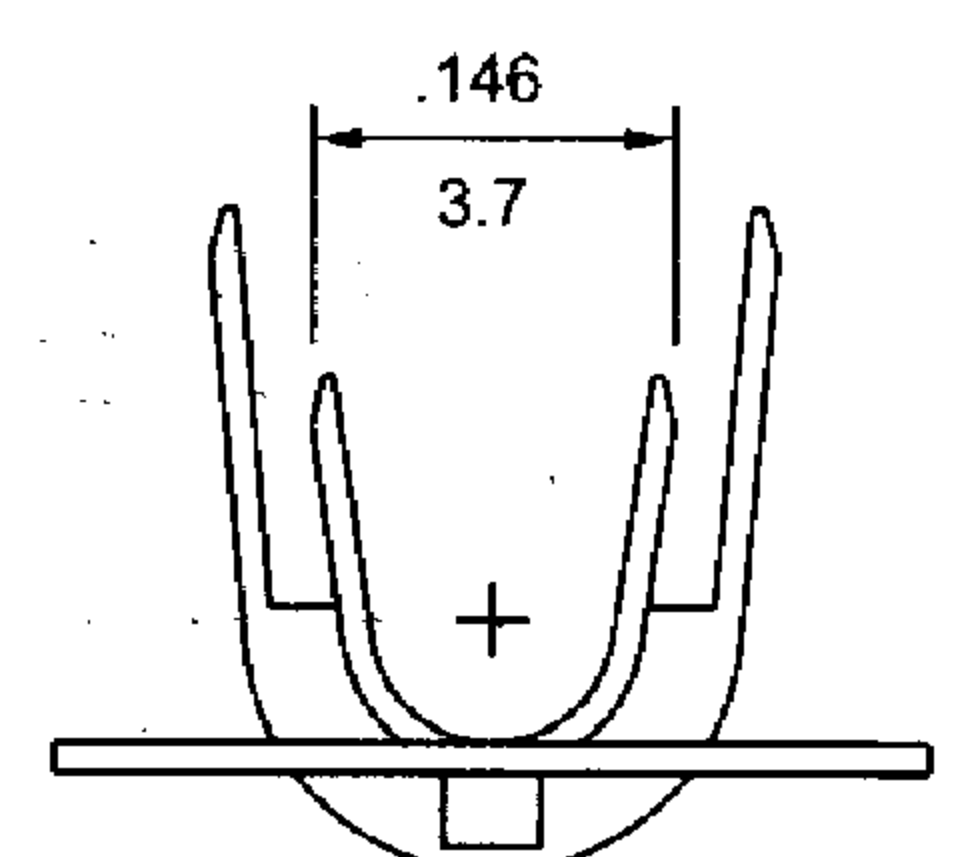
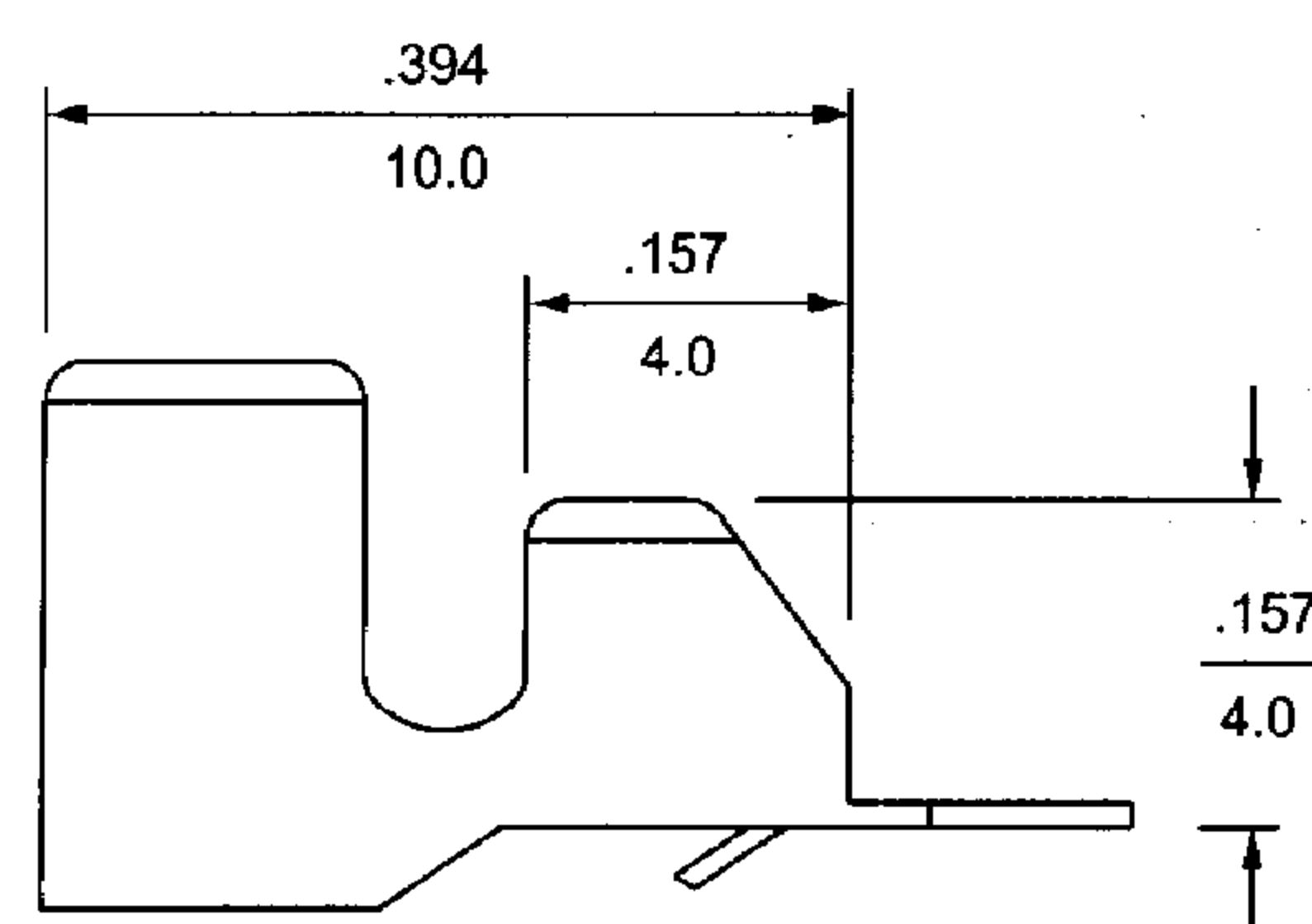
32002TBI Series

P.C. Board Crimp Terminal

- Secures wire to P.C.B. before wave soldering
- Rapid and economical means of hand wiring P.C.B.
- Wire solders directly to P.C.B.
- No additional contact resistance
- Low profile
- Material: Brass
- Finished: Tin-plated
- Thickness: 0.3mm
- Wire range: #18 ~ #22 AWG bundle wire, #18 x 4 max.
- Recommended P.C.B. hole diameter $3.2^{+0.1}_0$ mm
- Applicable P.C.B. thickness: 1.6mm
- Roll form package
- Quantity: 2000 PCS/Reel



inches
mm



inches
mm