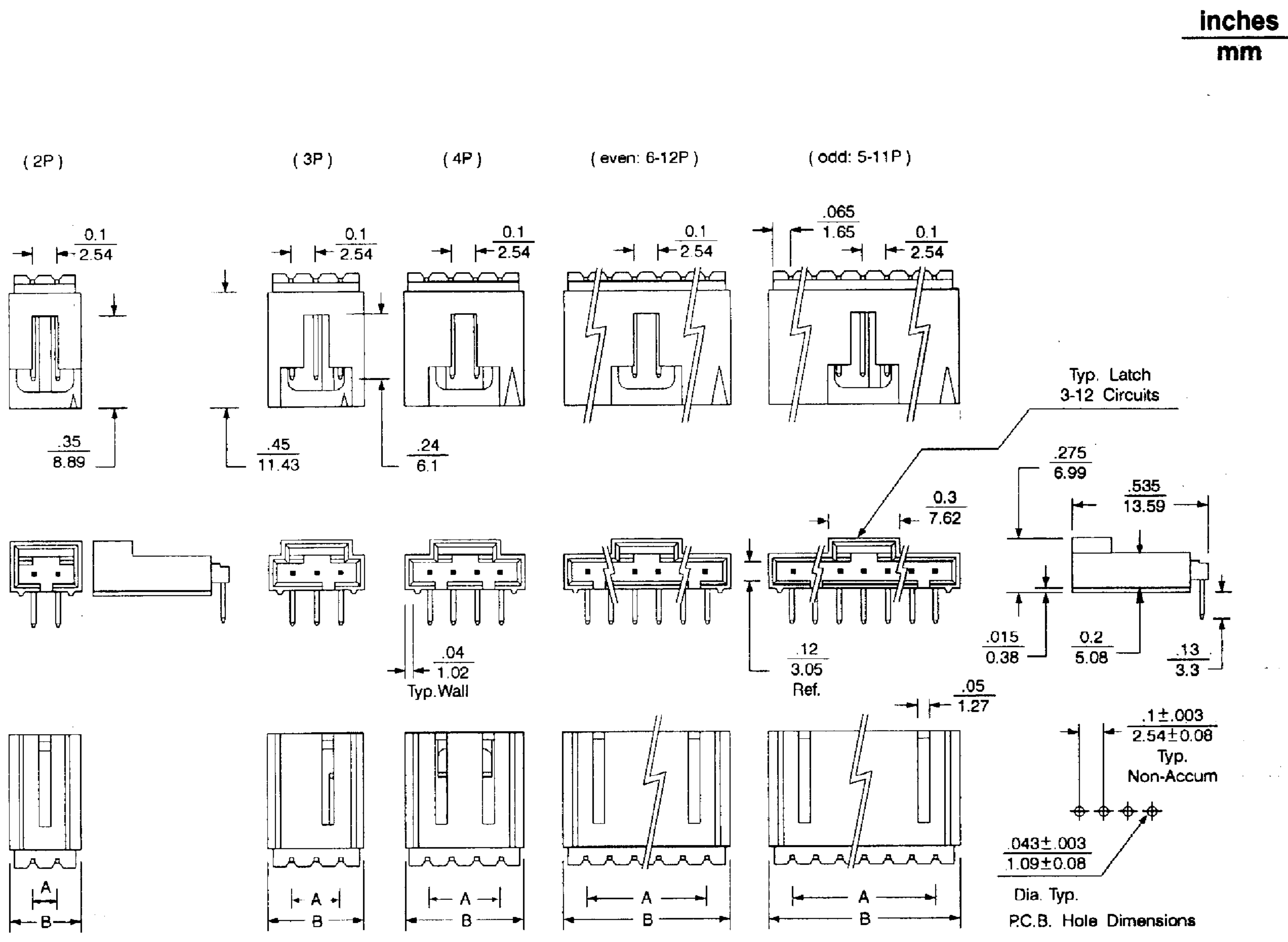


.100" (2.54mm) Pocket Low Profile Right Angle Header

25407WR-N Series Right Angle Header

- 2 - 12 circuits available
- Material: UL 94V-0 glass filled PCT
- .025" (0.64mm) square wire pins (Tin-Plated brass)
- Standard Color: Black
- Mate with 25407HM series housings

- Loaded in plastic tubes to allow for robotic insertion into P.C. boards
- Polarization slots
- Positive latch retains connector after mating
- Standoffs minimize flux retention



Dimensional Information - in. (mm)

Circuits	Dim. A	Dim. B	Circuits	Dim. A	Dim. B
2	.100 (2.54)	.300 (7.62)	8	.700 (17.78)	.900 (22.86)
3	.200 (5.08)	.400 (10.16)	9	.800 (20.32)	1.000 (25.40)
4	.300 (7.62)	.500 (12.70)	10	.900 (22.86)	1.100 (27.94)
5	.400 (10.16)	.600 (15.24)	11	1.000 (25.40)	1.200 (30.48)
6	.500 (12.70)	.700 (17.78)	12	1.100 (27.94)	1.300 (33.02)
7	.600 (15.24)	.800 (20.32)			