

.098" (2,5 mm) Ultra-Thin Connectors

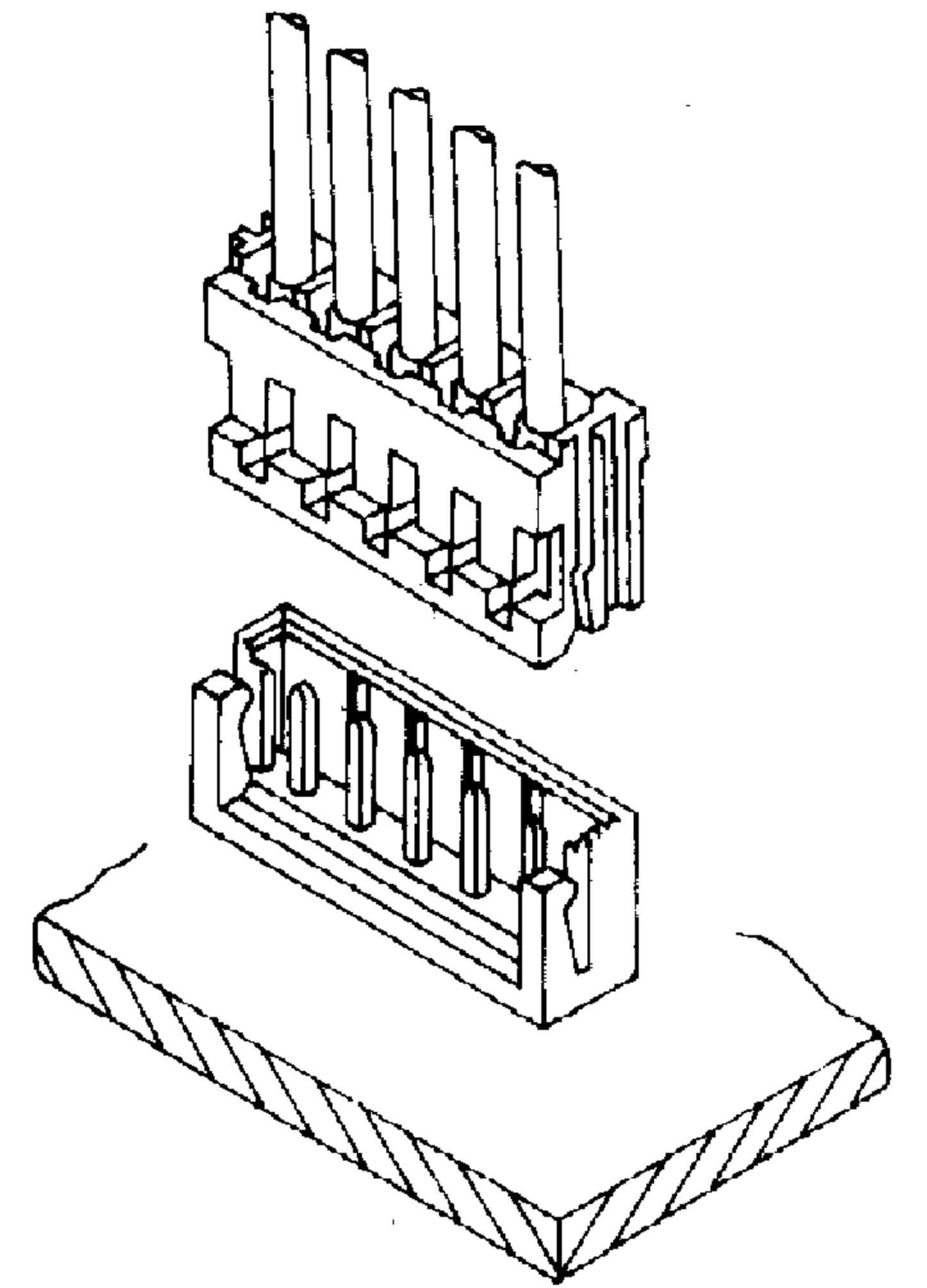
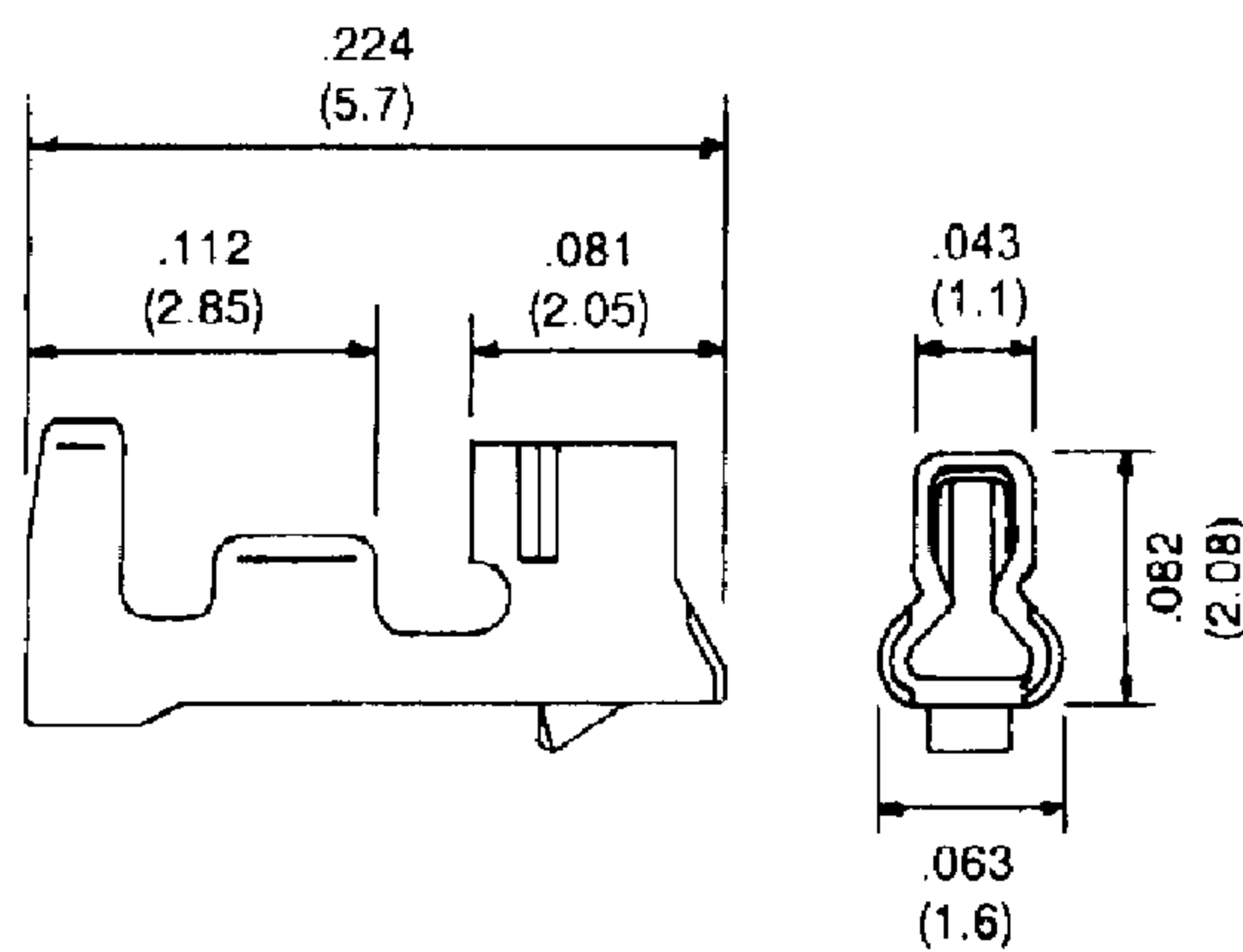
Specifications

- Current rating: 3A AC, DC
- Voltage rating: 250V AC, DC
- Temperature range: -25°C ~ +85°C
(including temperature rise)
- Contact resistance: Initial value/10mΩ max.
After environmental testing/20mΩ max.
- Insulation resistance: 1,000MΩ min.
- Withstand voltage: 800V AC/minute
- Applicable wires: AWG #28 ~ #22
- Applicable PC board thickness: .031" ~ .063"
(0.8 ~ 1.6mm)

25006T Series Crimp Terminal

- Used in 25006H-N series housing
- Applicable wire: AWG #28 ~ #22
- Material: Tin-plated phosphor bronze
- Insulation O.D.: .035" (0.9mm) ~
.067" (1.7mm)

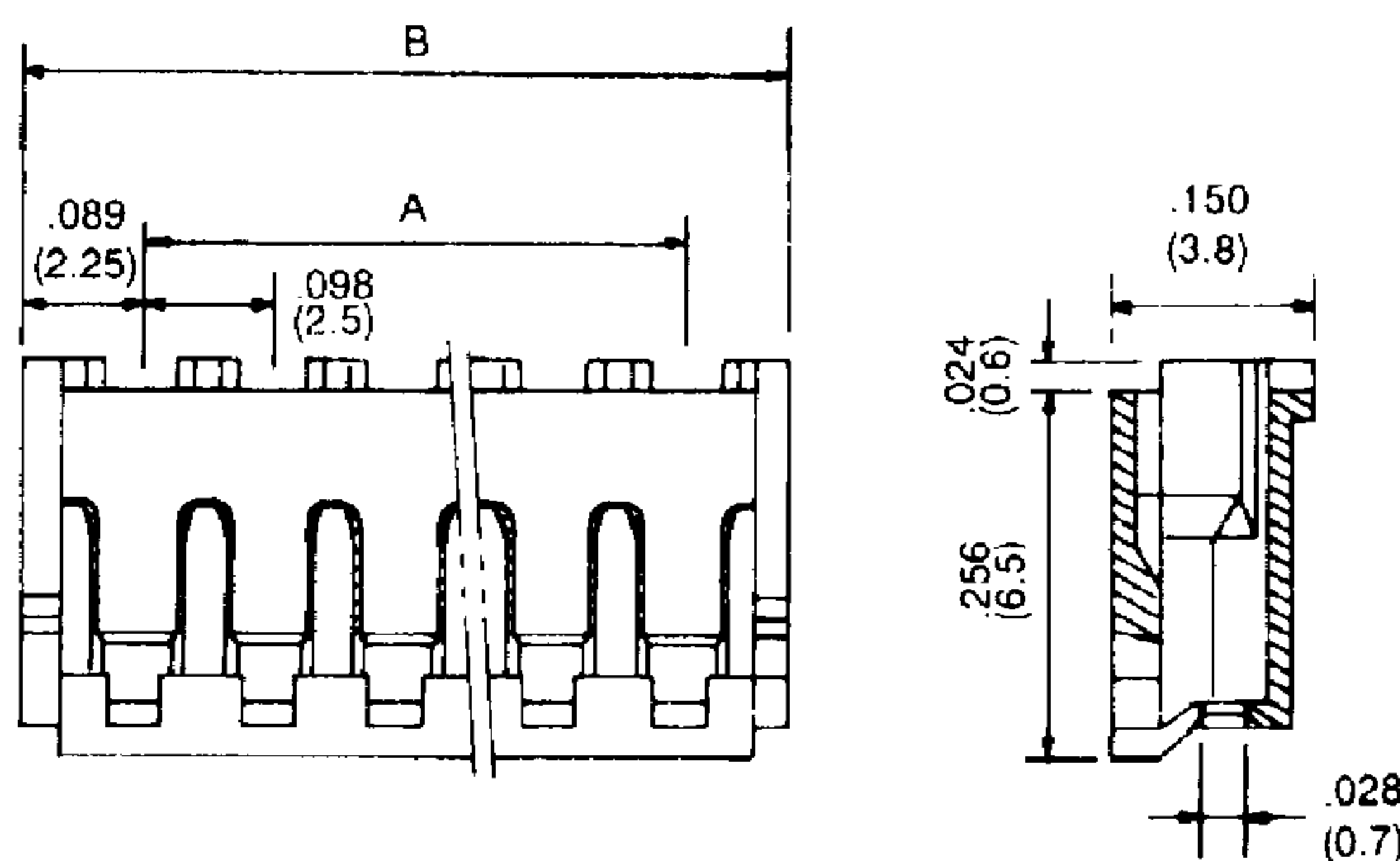
inches
mm



25006H-N Series Polarizing Housings

- Material: 94V-0 nylon
- 2-15 circuits available
- Standard color: white
- Accepts 25006T terminal
- Mates with 25006W series headers

inches
mm



Dimensional Information - in. (mm)

Circuits	Dim. A	Dim. B	Circuits	Dim. A	Dim. B
2	.098 (2.5)	.276 (7.0)	9	.787 (20.0)	.965 (24.5)
3	.197 (5.0)	.374 (9.5)	10	.886 (22.5)	1.063 (27.0)
4	.295 (7.5)	.472 (12.0)	11	.984 (25.0)	1.161 (29.5)
5	.394 (10.0)	.571 (14.5)	12	1.083 (27.5)	1.260 (32.0)
6	.492 (12.5)	.669 (17.0)	13	1.181 (30.0)	1.358 (34.5)
7	.591 (15.0)	.768 (19.5)	14	1.280 (32.5)	1.457 (37.0)
8	.689 (17.5)	.866 (22.0)	15	1.378 (35.0)	1.555 (39.5)