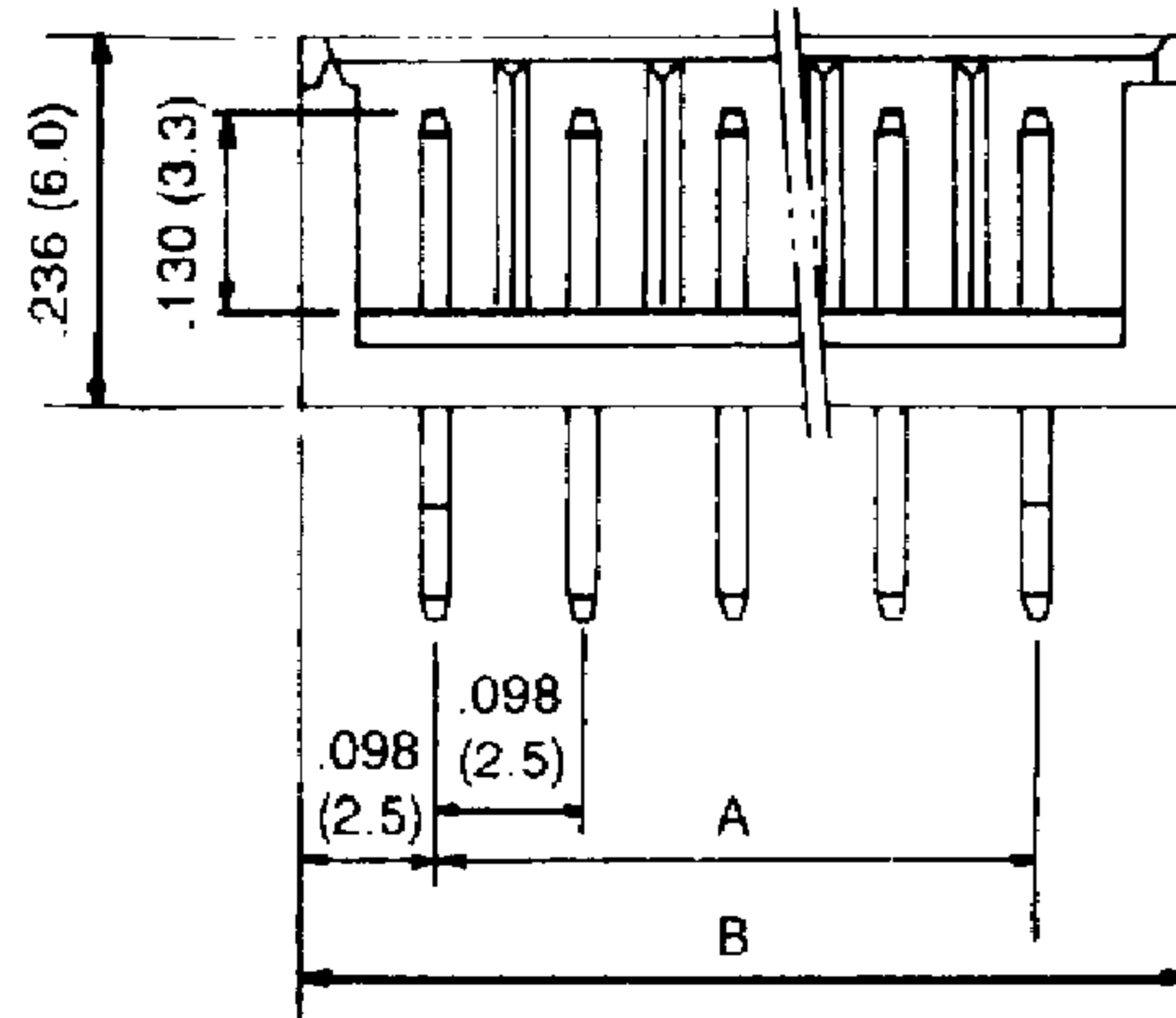


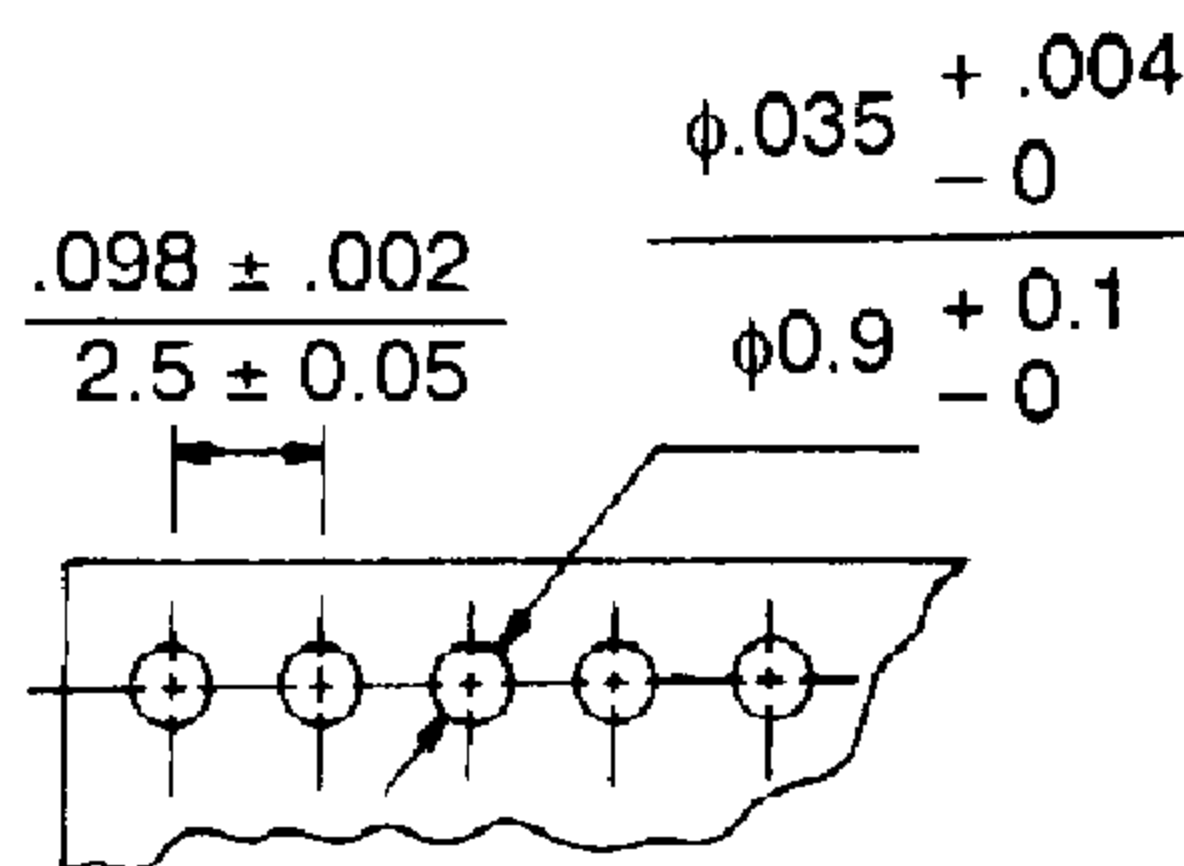
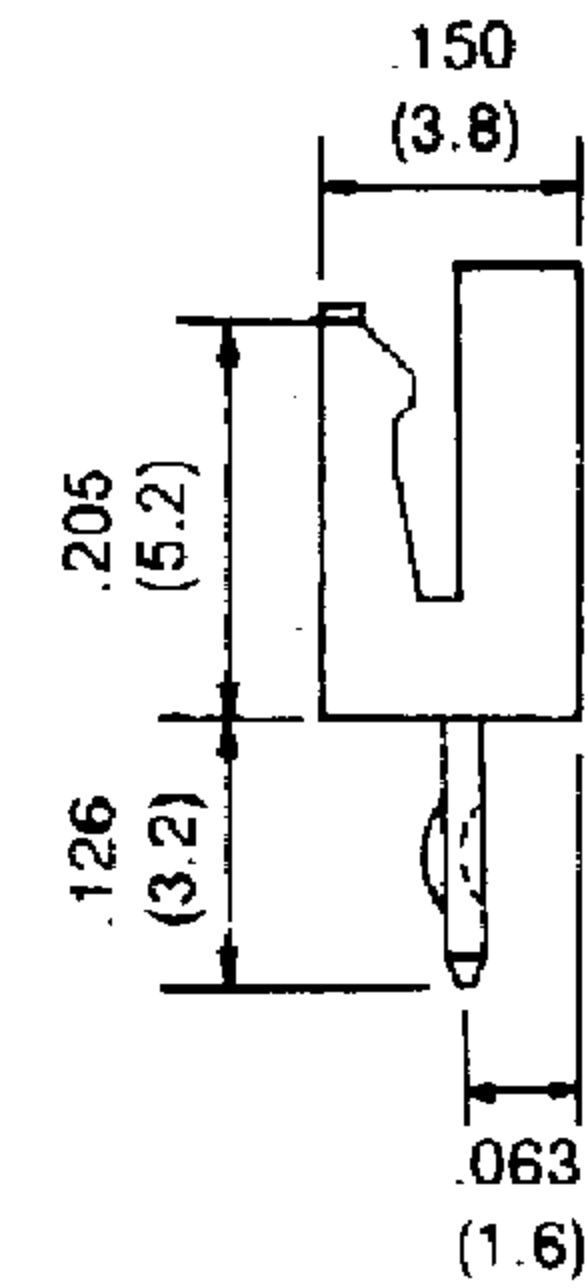
.098" (2,5 mm) Center Headers

25006-WS-N Series Square Pin Straight Header

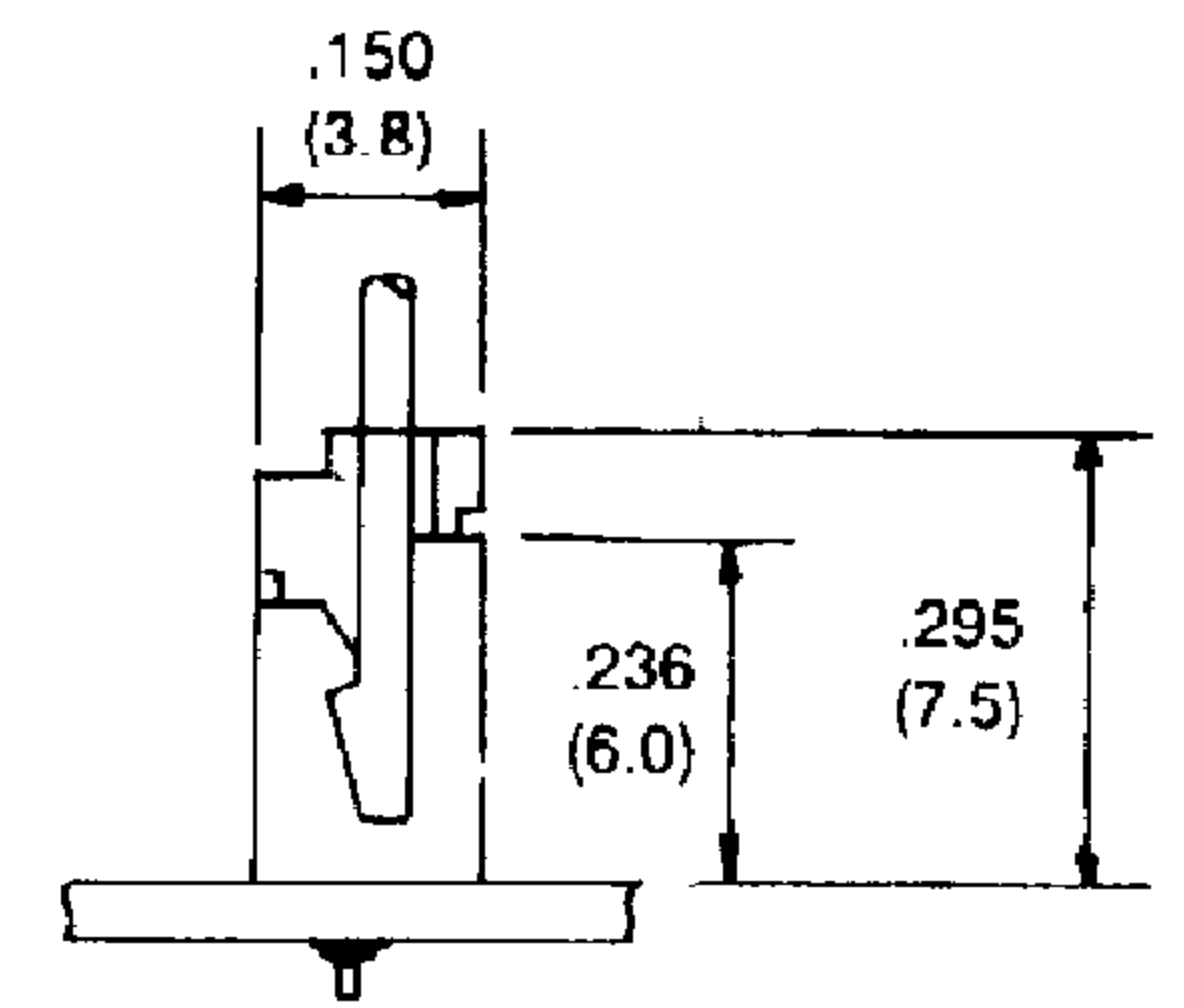
- 94V-0 nylon
- .025" (0.64mm) straight square wire pins
- 2-15 circuits available
- Mates with 25006H-N series housing
- Applicable PC board thickness:
.031" (0.8mm) ~ .063" (1.6mm)



inches
mm



P.C. Board Hole Dimensions

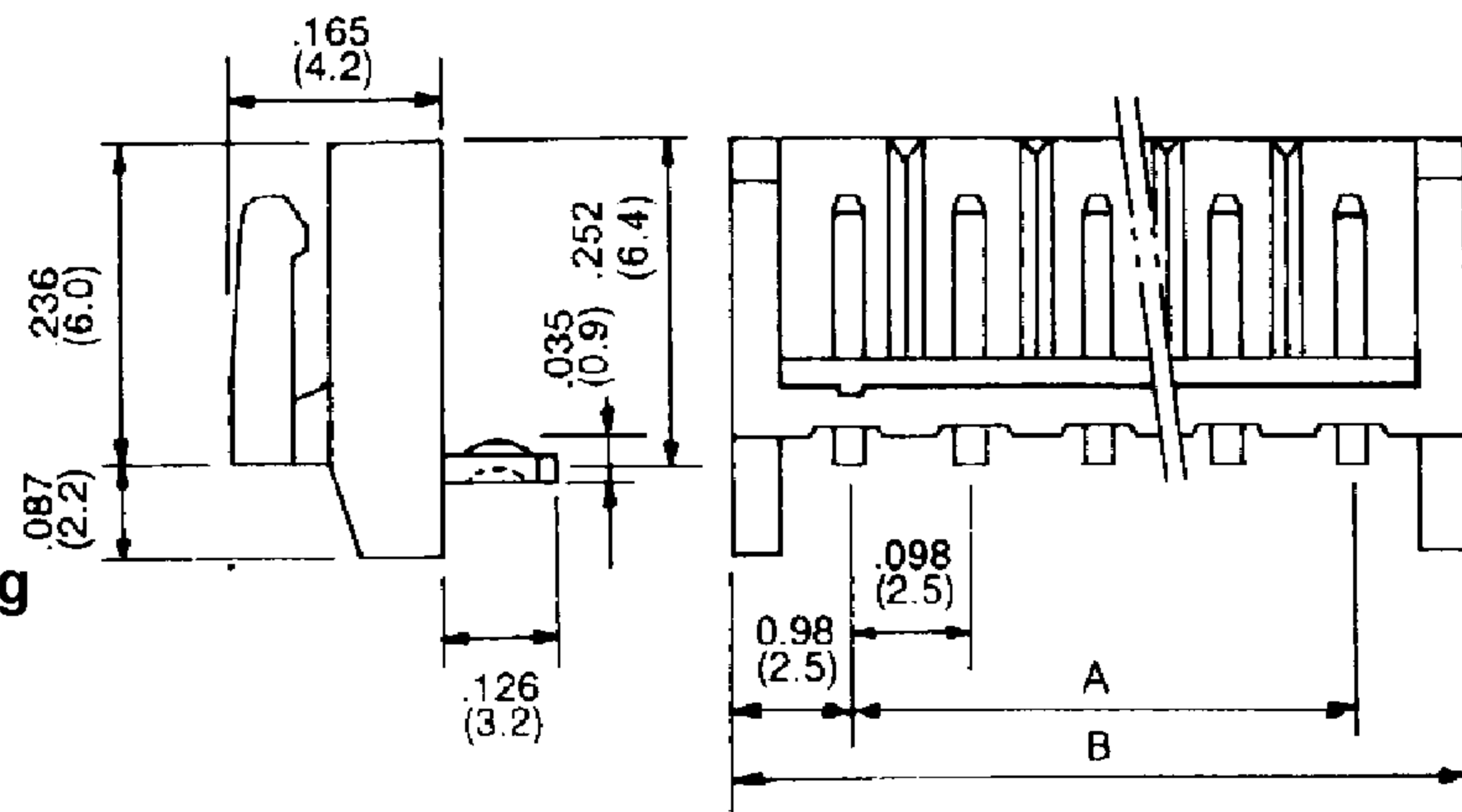


Dimensional Information - in. (mm)

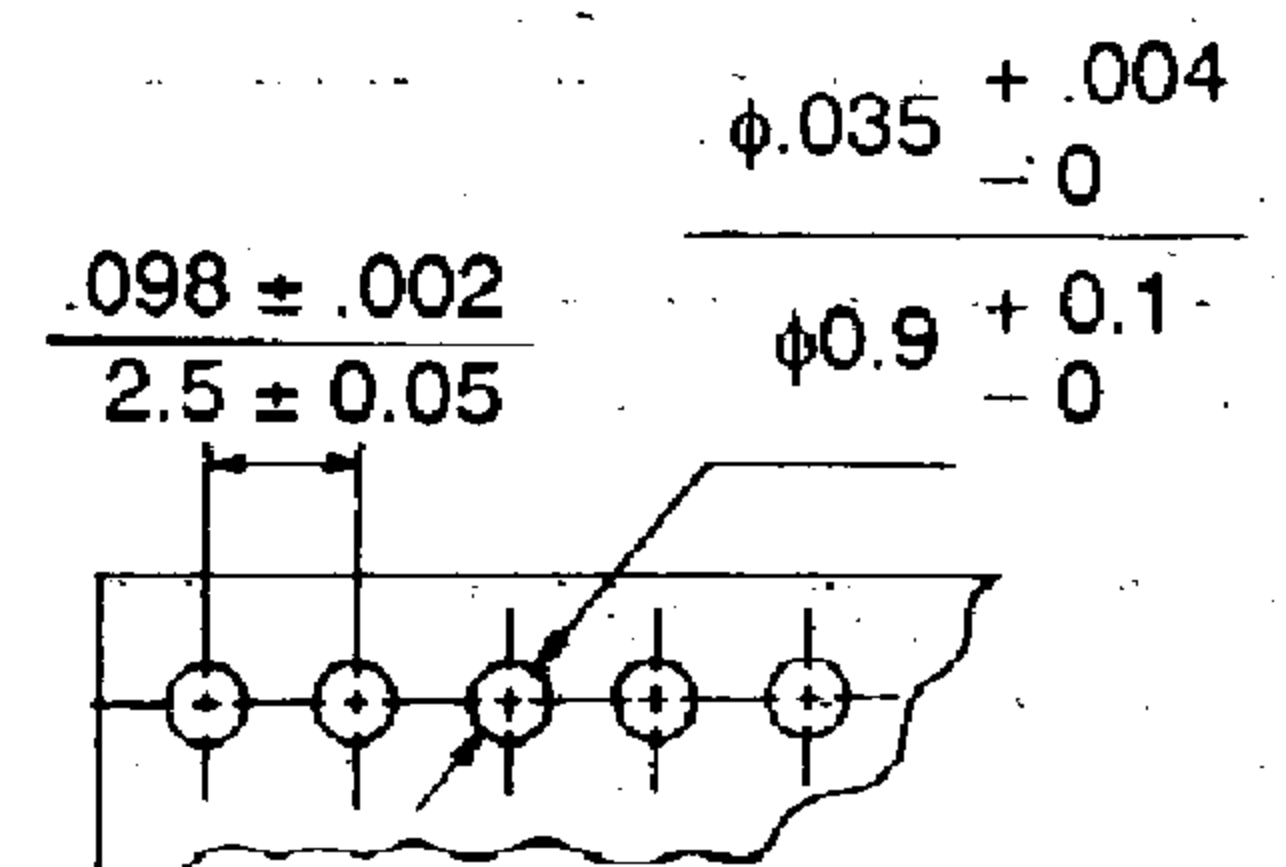
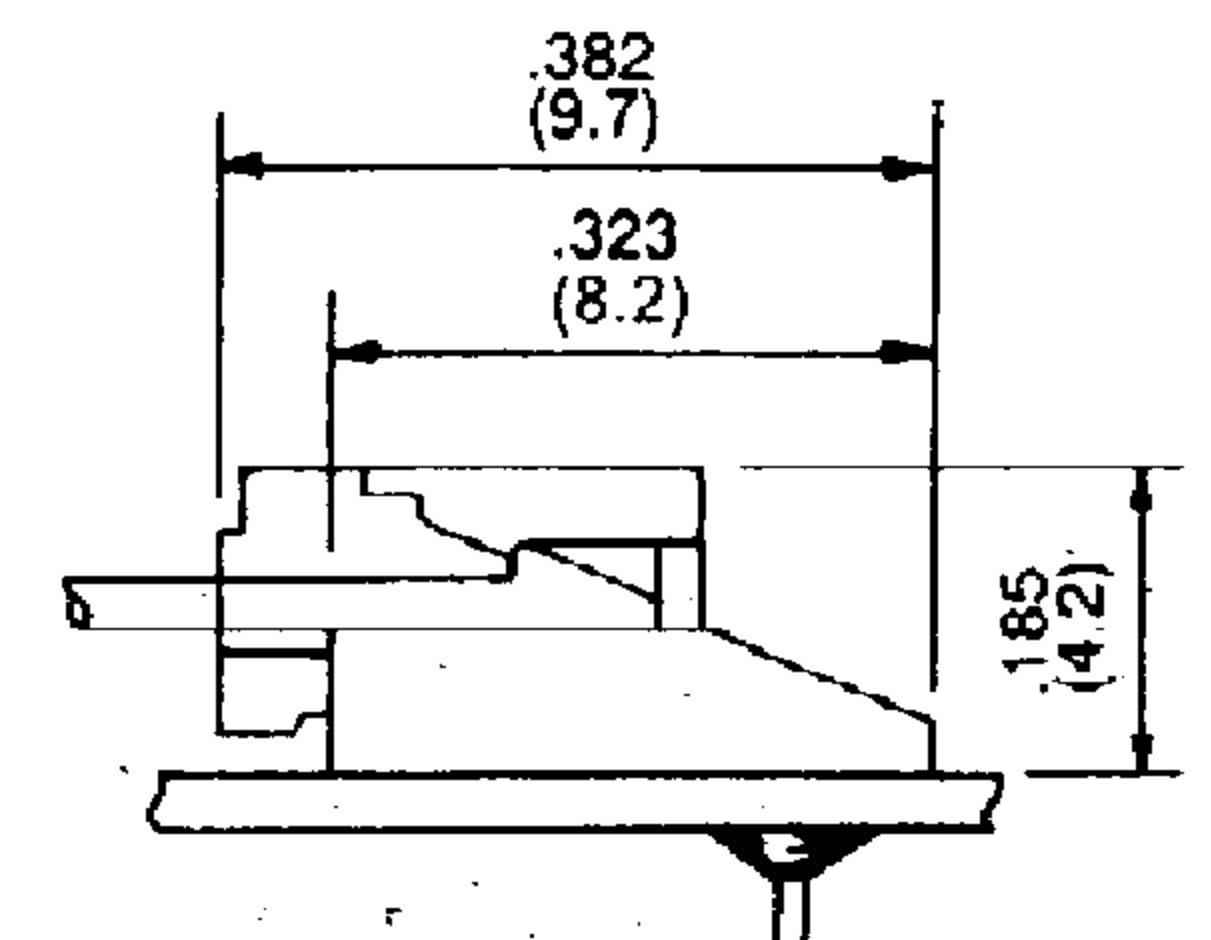
Circuits	Dim. A	Dim. B	Circuits	Dim. A	Dim. B
2	.098 (2.5)	.295 (7.5)	9	.787 (20.0)	.984 (25.0)
3	.197 (5.0)	.394 (10.0)	10	.886 (22.5)	1.083 (27.5)
4	.295 (7.5)	.492 (12.5)	11	.984 (25.0)	1.181 (30.0)
5	.394 (10.0)	.591 (15.0)	12	1.083 (27.5)	1.280 (32.5)
6	.492 (12.5)	.689 (17.5)	13	1.181 (30.0)	1.378 (35.0)
7	.591 (15.0)	.787 (20.0)	14	1.280 (32.5)	1.480 (37.5)
8	.689 (17.5)	.886 (22.5)	15	1.378 (35.0)	1.575 (40.0)

25006WR-N Series Square Pin Right Angle Header

- 94V-0 nylon
- .025" (0.64mm) right angle square wire pins
- 2-15 circuits available
- Mates with 25006H-N series housing
- Applicable PC board thickness:
.031" (0.8mm) ~ .063" (1.6mm)



inches
mm



P.C. Board Hole Dimensions