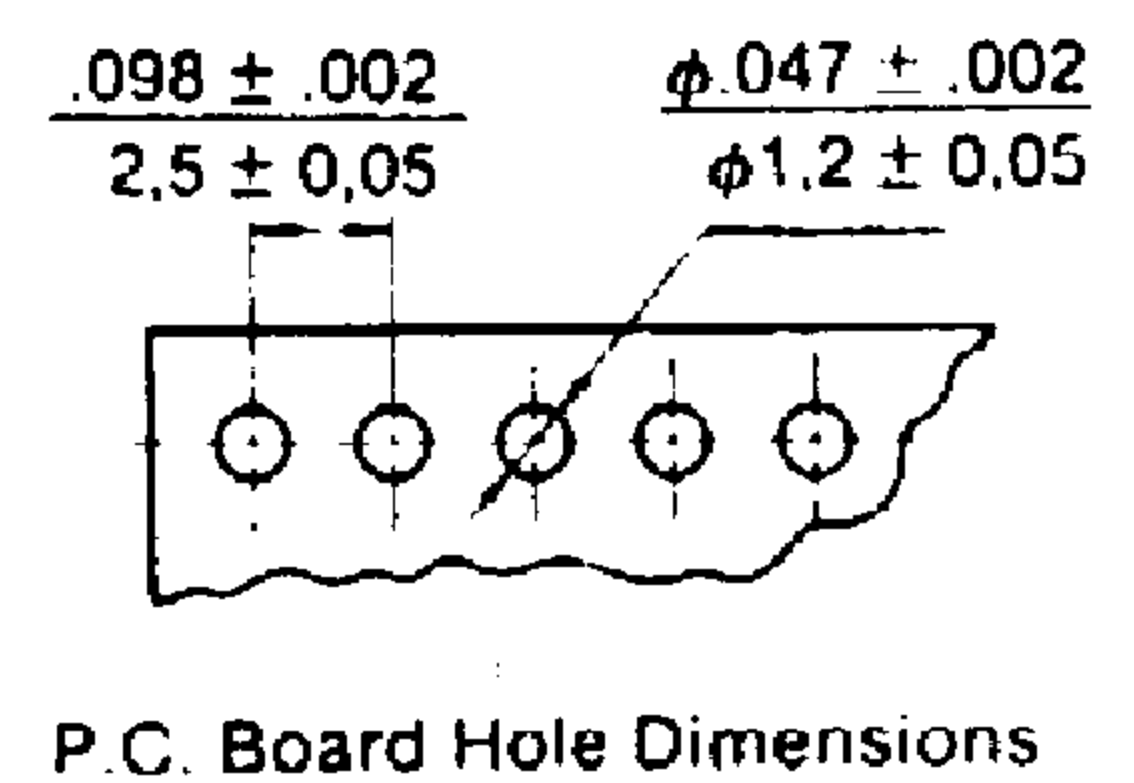
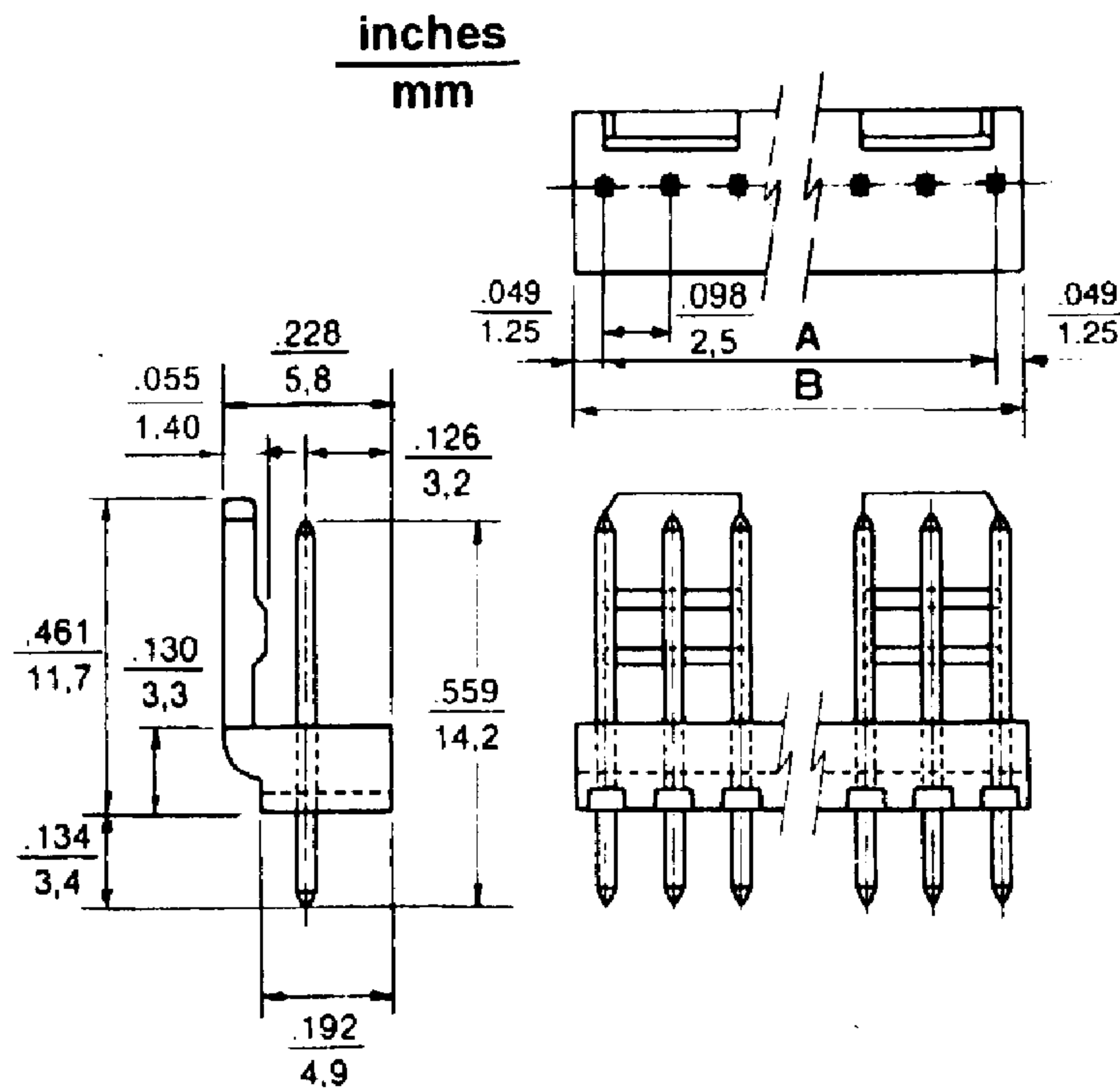


.098" (2,5 mm) Center Headers

25003WS-N Series Straight Pin Friction Lock Header

- 2-20 Circuits
- .025" (0,64mm) straight square wire pins
- Friction lock
- Various pin lengths available
- 94V-0 Nylon
- Mates with 25003H,25008H housings
- Tin plated brass pins. Plating options available



Dimensional Information - in. (mm)

Circuits	Dim. A	Dim. B	Circuits	Dim. A	Dim. B	Circuits	Dim. A	Dim. B
2	0.098 (2.5)	0.197 (5.0)	9	0.787 (20.0)	0.886 (22.5)	16	1.480 (37.5)	1.578 (40.0)
3	0.197 (5.0)	0.295 (7.5)	10	0.886 (22.5)	0.984 (25.0)	17	1.578 (40.0)	1.680 (42.5)
4	0.295 (7.5)	0.394 (10.0)	11	0.984 (25.0)	1.083 (27.5)	18	1.680 (42.5)	1.778 (45.0)
5	0.394 (10.0)	0.492 (12.5)	12	1.083 (27.5)	1.181 (30.0)	19	1.778 (45.0)	1.880 (47.5)
6	0.492 (12.5)	0.591 (15.0)	13	1.181 (30.0)	1.280 (32.5)	20	1.880 (47.5)	1.969 (50.0)
7	0.591 (15.0)	0.689 (17.5)	14	1.280 (32.5)	1.378 (35.0)			
8	0.689 (17.5)	0.787 (20.0)	15	1.378 (35.0)	1.480 (37.5)			

25003WR-N Series Right Angle Pin Friction Lock Header

- 2-20 Circuits available
- .025" (0,64mm) right angle square wire pins
- Friction lock
- Various pin lengths available
- 94V-0 Nylon
- Mates with 25003H,25008H housings
- Tin plated brass pins. Plating options available

