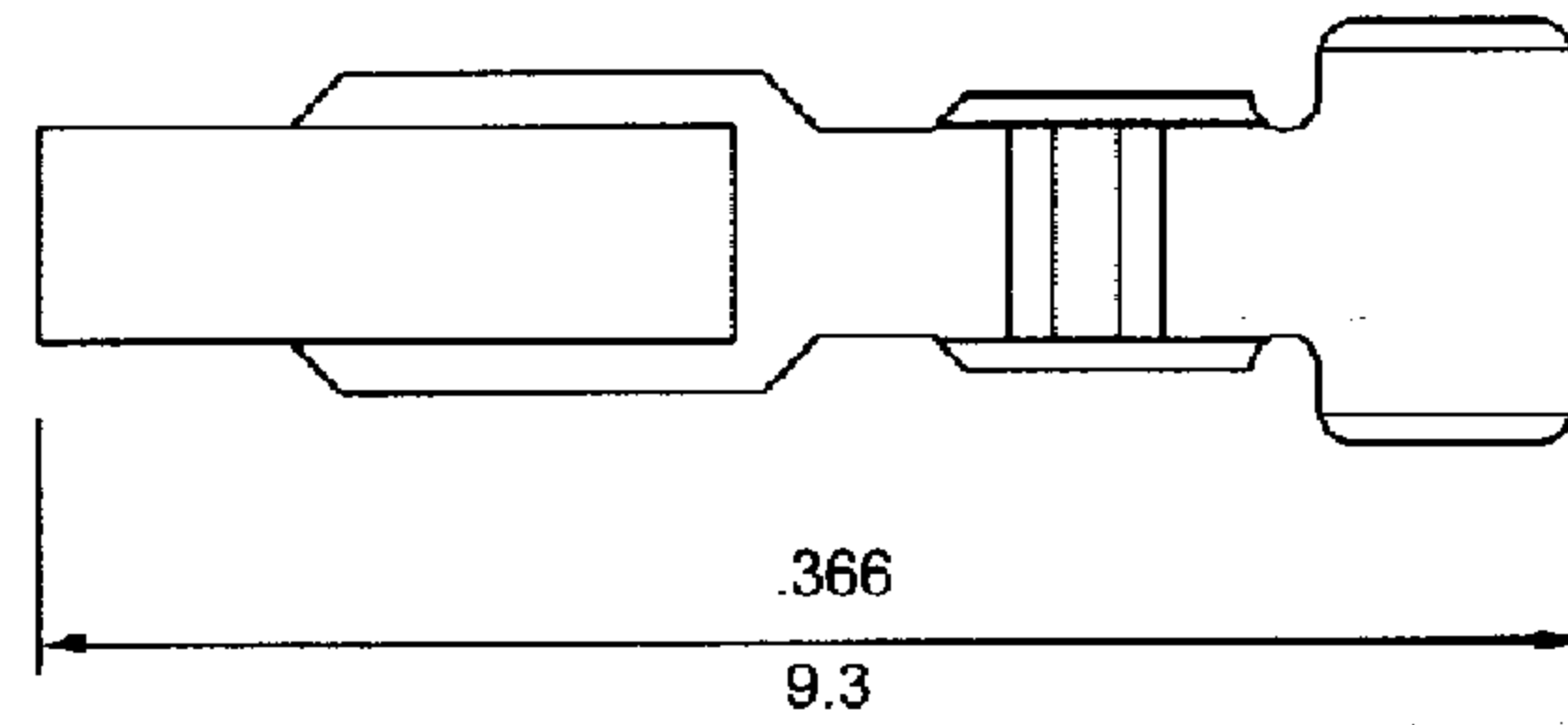


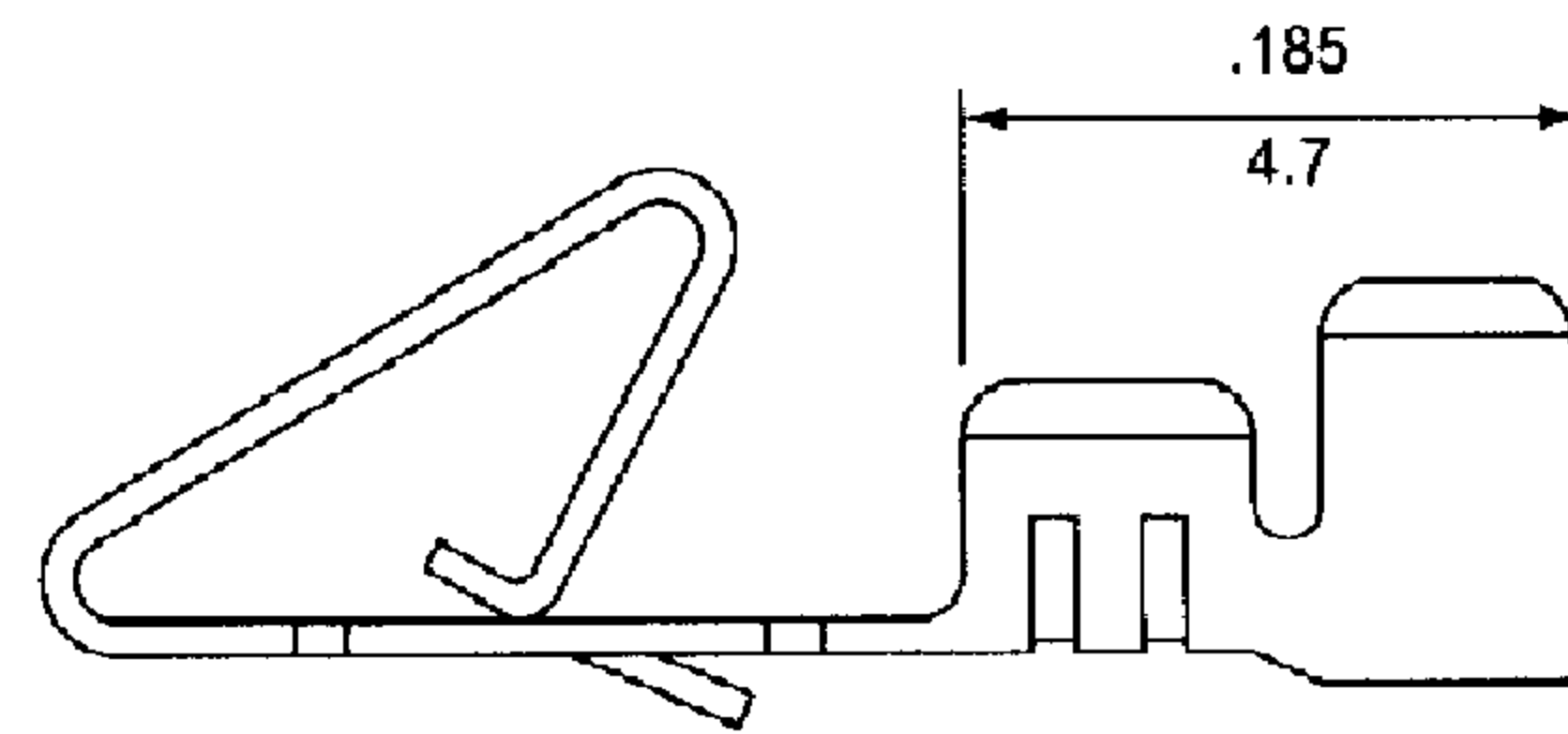
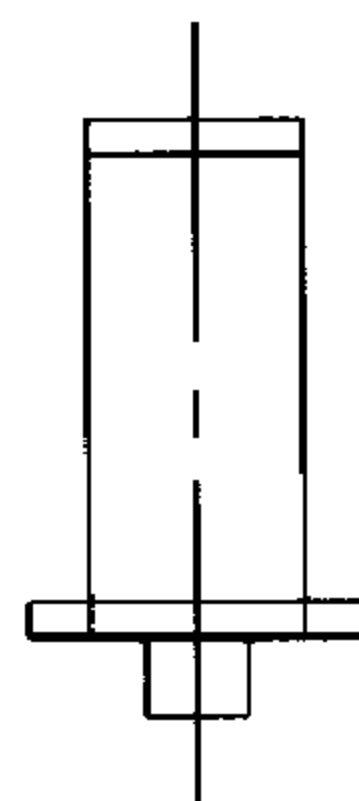
# .098"(2.5mm) Center Crimp Terminal Housings

## 25003T Series Crimp Terminals

- Used in 25003H, 25404H series housing
- Accepts AWG #22 ~ #26 wire range



inches  
mm

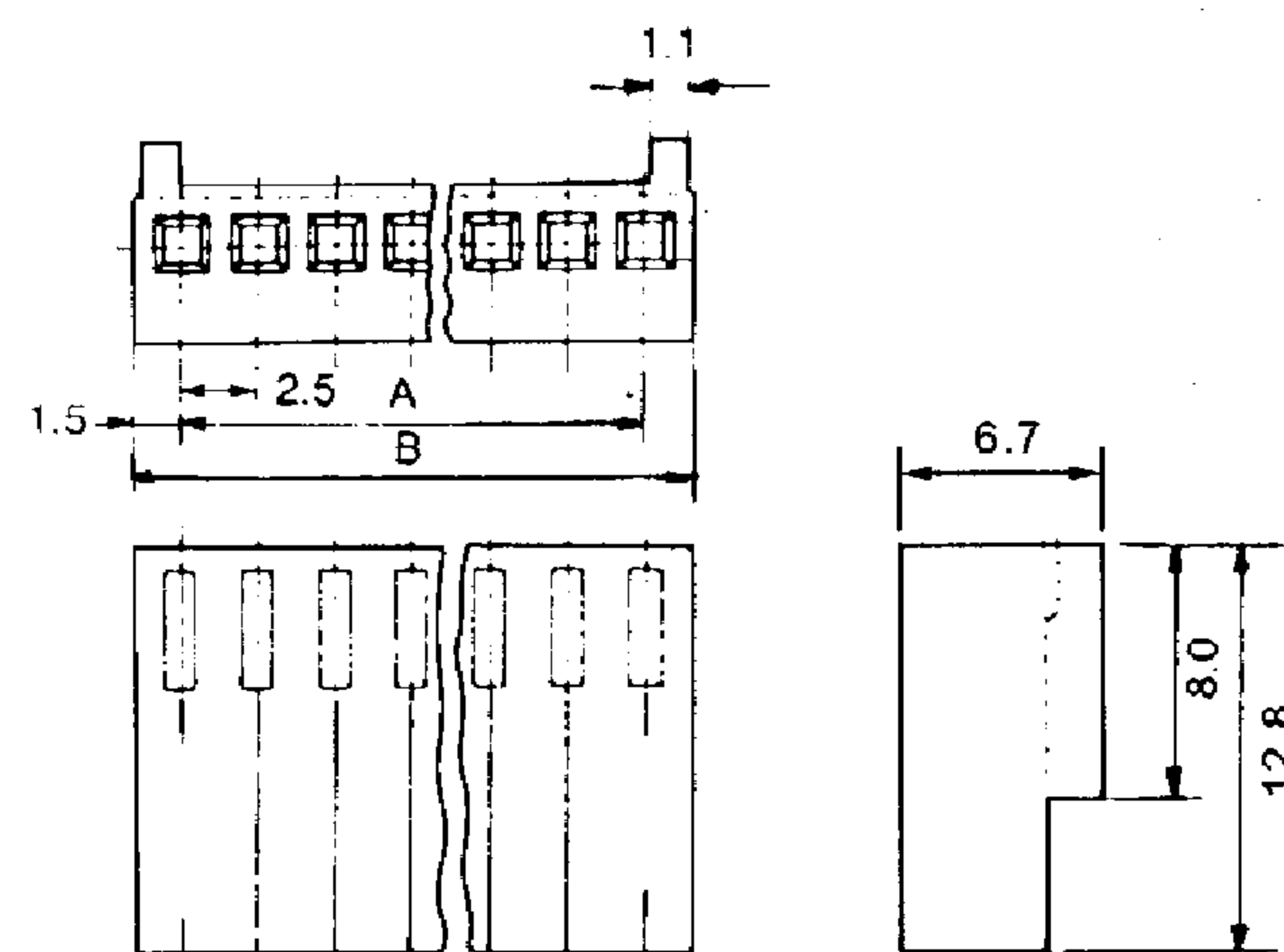


### Ordering Information

Part No.	Material	Thickness	Finish
25003T	Brass	0.2mm	Tin-plated
25003TP	Phosphor bronze		

## 25003H-N Series Polarizing Housing

- Accepts 25003T terminal
- 94V-0 Nylon
- Molded friction lock
- 2-20 Circuits available
- Mates with 25003W series headers



inches  
mm

### Dimensional Information -in. (mm)

Circuits	Dim. A	Dim. B	Circuits	Dim. A	Dim. B	Circuits	Dim. A	Dim. B
2	.098 ± .004 2.50 ± 0.10	.217 ± .008 5.50 ± 0.20	9	.787 ± .005 20.0 ± 0.13	.906 ± .009 23.0 ± 0.23	15	1.378 ± .008 35.00 ± 0.20	1.496 ± .012 38.00 ± 0.30
3	.197 ± .004 5.00 ± 0.10	.315 ± .008 8.00 ± 0.20	10	.886 ± .006 22.5 ± 0.15	1.004 ± .010 25.50 ± 0.25	16	1.477 ± .008 37.50 ± 0.20	1.595 ± .012 40.50 ± 0.30
4	.295 ± .004 7.50 ± 0.10	.413 ± .008 10.5 ± 0.20	11	.984 ± .006 25.0 ± 0.25	1.102 ± .010 28.00 ± 0.25	17	1.575 ± .008 40.00 ± 0.20	1.693 ± .012 43.00 ± 0.30
5	.394 ± .004 10.0 ± 0.10	.512 ± .008 13.0 ± 0.20	12	1.083 ± .007 27.50 ± 0.18	1.201 ± .011 30.50 ± 0.28	18	1.674 ± .009 42.50 ± 0.23	1.791 ± .013 45.50 ± 0.33
6	.492 ± .004 12.5 ± 0.10	.611 ± .009 15.5 ± 0.23	13	1.181 ± .007 30.00 ± 0.18	1.299 ± .011 33.00 ± 0.28	19	1.772 ± .009 45.00 ± 0.23	1.890 ± .013 48.00 ± 0.33
7	.591 ± .005 15.0 ± 0.13	.709 ± .009 18.0 ± 0.23	14	1.280 ± .007 32.50 ± 0.18	1.398 ± .011 35.50 ± 0.28	20	1.870 ± .010 47.50 ± 0.25	1.988 ± .014 50.50 ± 0.36
8	.689 ± .005 17.5 ± 0.13	.807 ± .009 20.5 ± 0.23						