

.079" (2,0 mm) Board-In Type Connectors

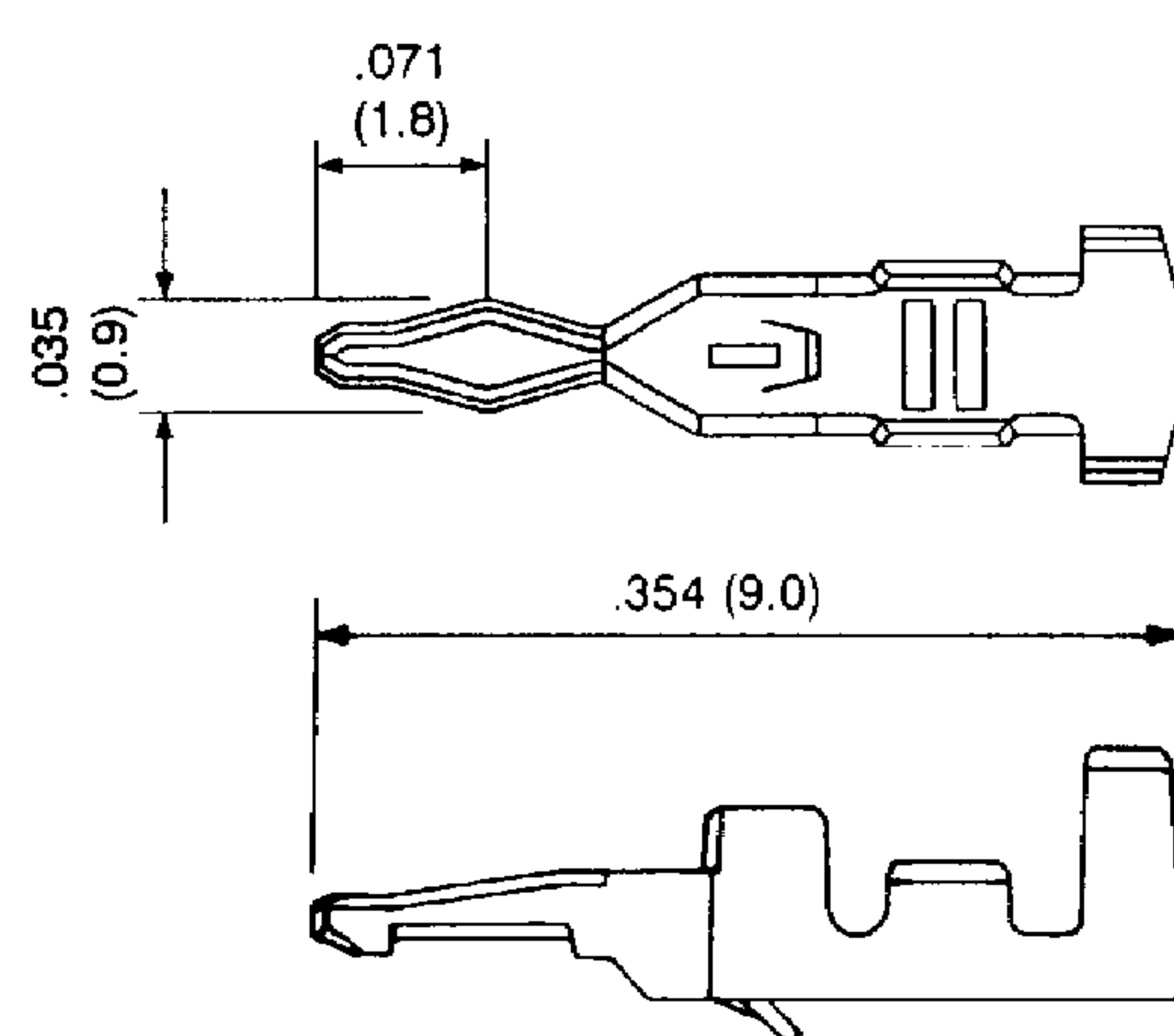
Specifications

- Current rating: 2A AC, DC
- Voltage rating: 250V AC, DC
- Temperature range: -25°C ~ +85°C (including temperature rise)
- Insulation resistance: 1,000MΩ min.
- Withstand voltage: 800V AC/minute
- Applicable wires: AWG #30 ~ #24
- Applicable PC board thickness: .063" (1.6mm)

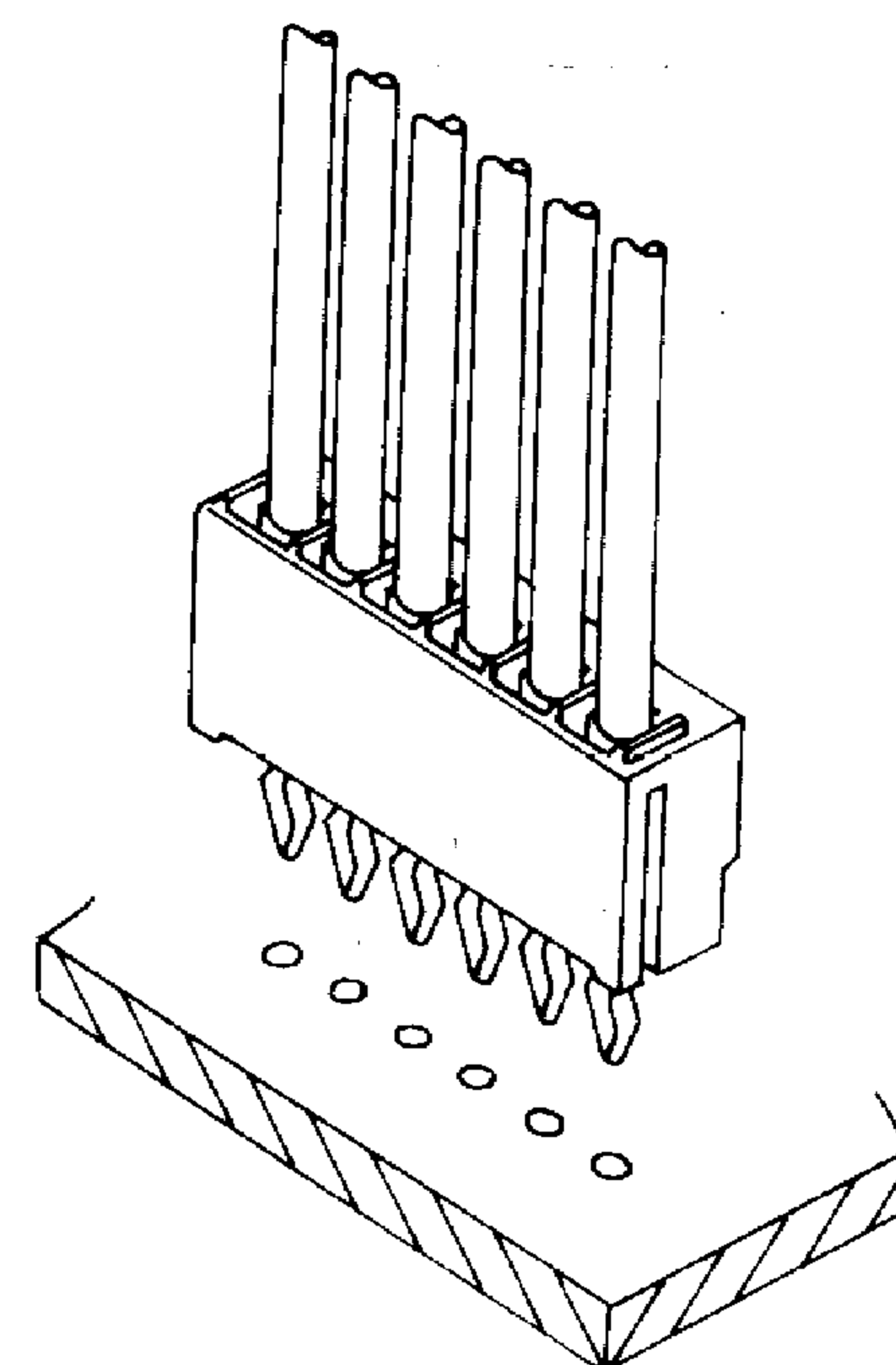
20011TS

Crimp Terminal

- Used in 20011HS-N series housing
- Applicable wire: AWG #30 ~ #24
- Material: Tin-plated brass
- Insulation O.D.: .035" (0.9mm) ~ .051" (1.3mm)



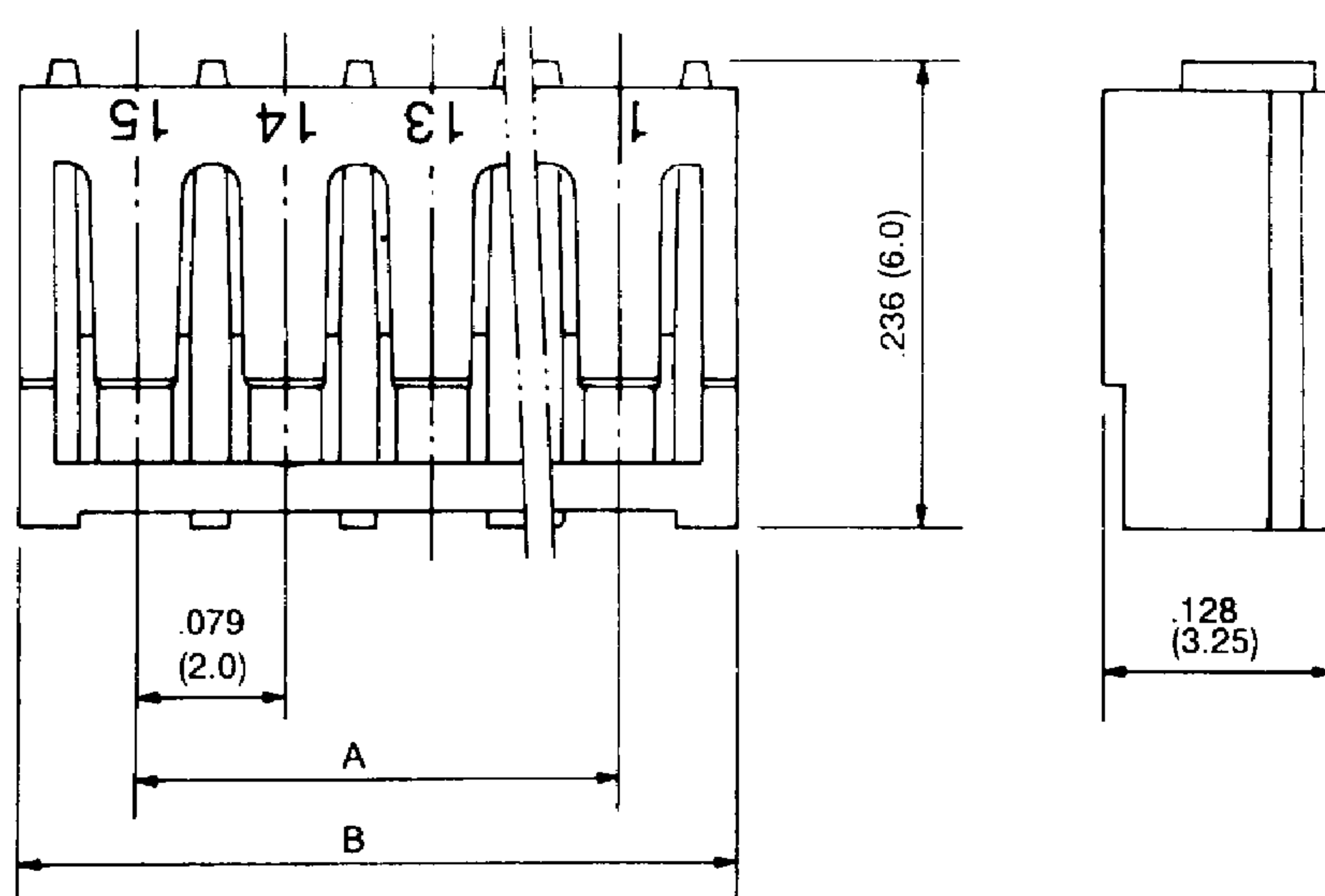
inches
mm



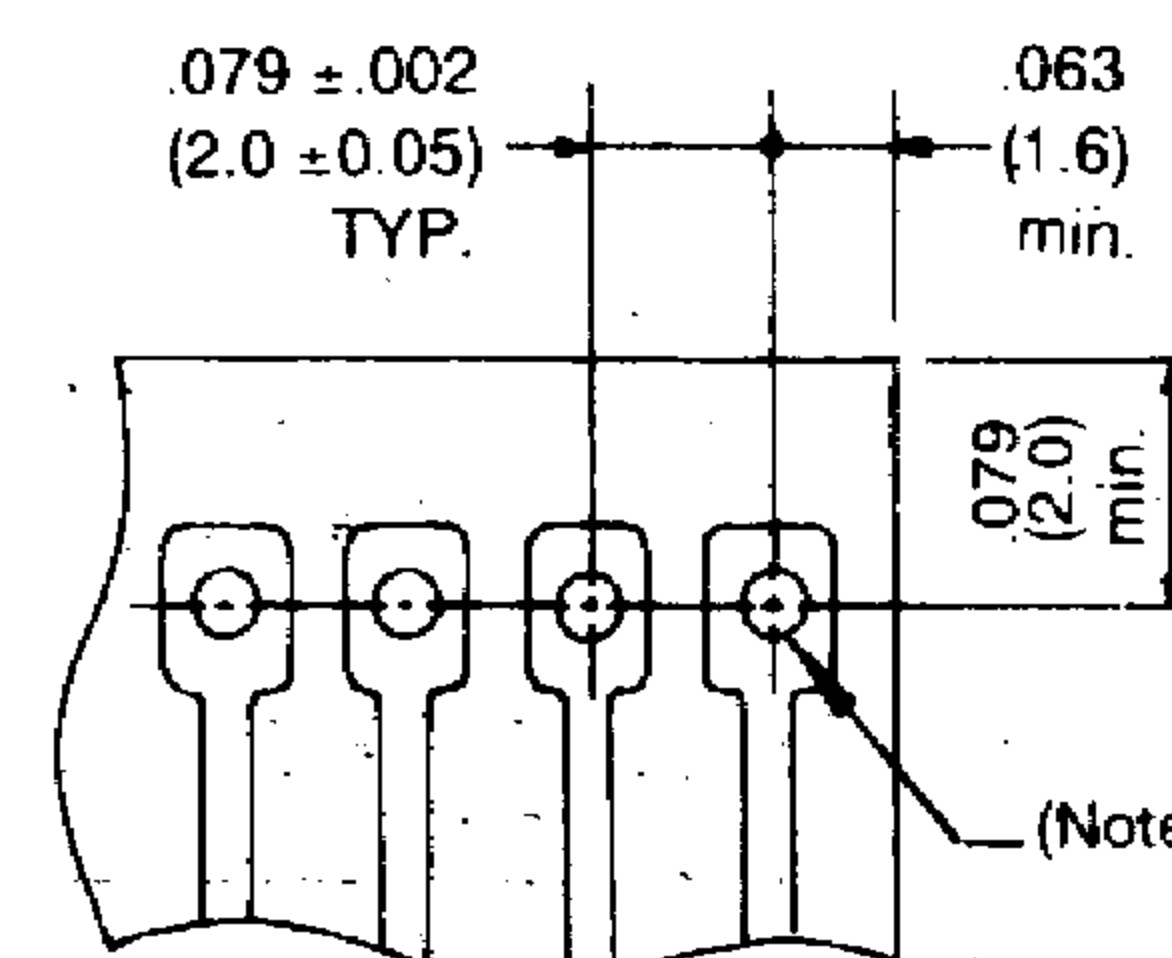
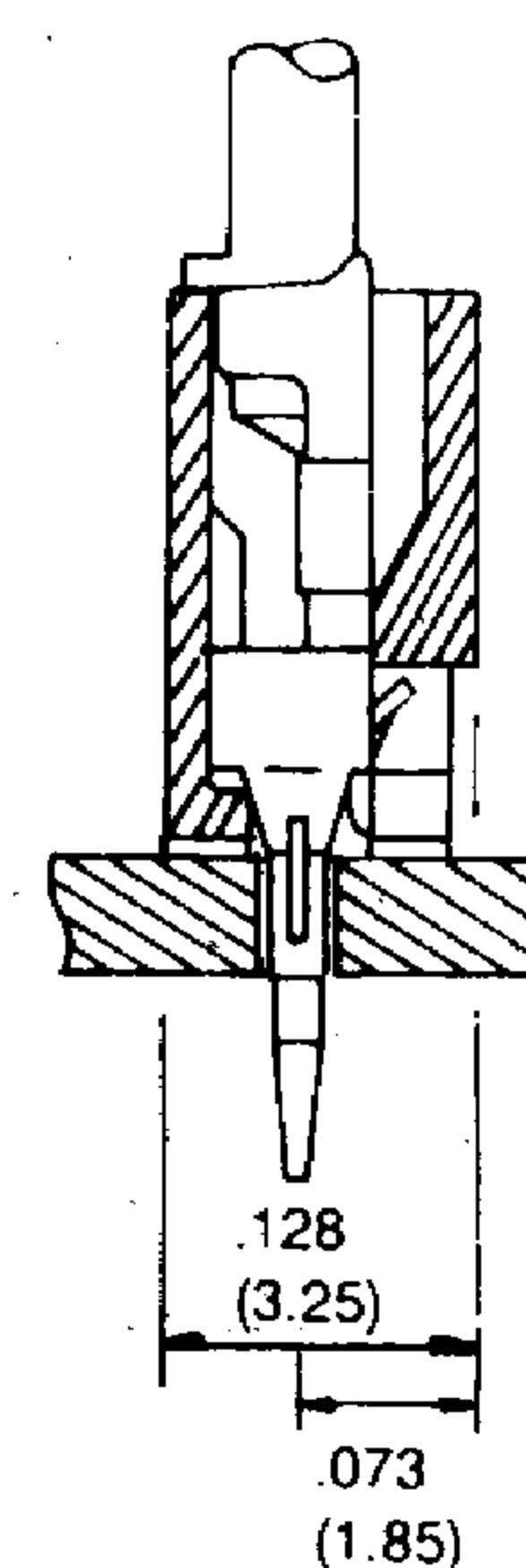
20011HS-N Series

Crimp Terminal Housing

- Material: 94V-0 nylon
- 2-15 circuits available
- Standard color: white
- Accepts 20011TS terminal



inches
mm



Dimensional Information - in. (mm)

Circuits	Dim. A	Dim. B	Circuits	Dim. A	Dim. B
2	.079 (2.0)	.205 (5.2)	9	.630 (16.0)	.756 (19.2)
3	.157 (4.0)	.283 (7.2)	10	.709 (18.0)	.835 (21.2)
4	.236 (6.0)	.362 (9.2)	11	.787 (20.0)	.913 (23.2)
5	.315 (8.0)	.441 (11.2)	12	.866 (22.0)	.992 (25.2)
6	.394 (10.0)	.520 (13.2)	13	.945 (24.0)	1.071 (27.2)
7	.472 (12.0)	.598 (15.2)	14	1.024 (26.0)	1.150 (29.2)
8	.551 (14.0)	.677 (17.2)	15	1.102 (28.0)	1.228 (31.2)

Note:

- 2~7P: $\varnothing .030 \pm .002$ dia. ($\varnothing 0.75 \pm 0.05$ dia.)
- 8~15P: $\varnothing .031 \pm .002$ dia. ($\varnothing 0.8 \pm 0.05$ dia.)