

.079"(2.0mm) Crimp Terminal Housing

Specifications:

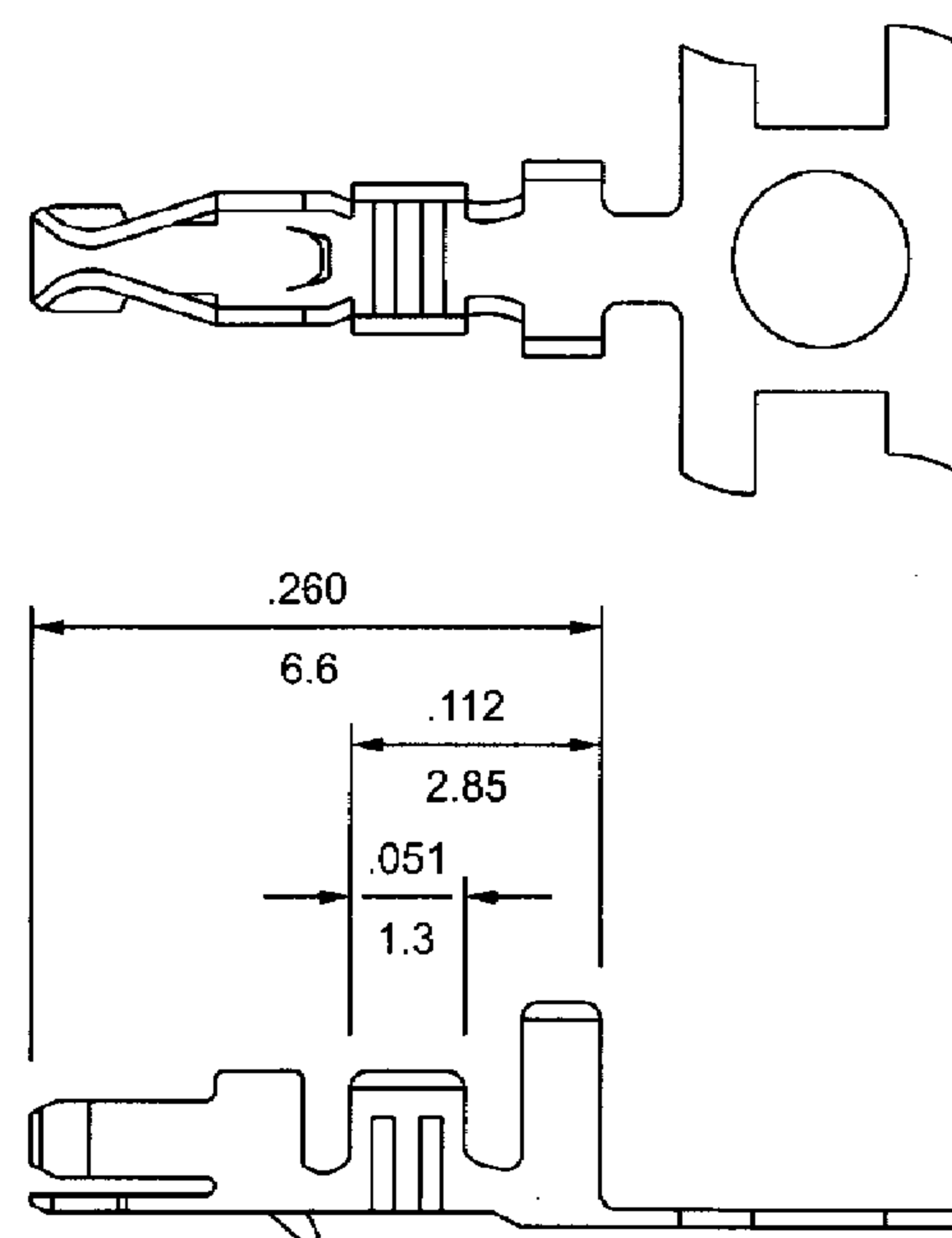
- Current rating: 3A AC, DC
- Voltage rating: 250V AC, DC
- Withstanding voltage: 800V AC/minute
- Insulation resistance: 1000MΩ min.
- Contact resistance: Initial value / 10mΩ max.
After environmental testing / 20mΩ max.
- Temperature rise: -25°C ~ 85°C max.
(including temperature rise)

20004T Series Crimp Terminal

- Material: Phosphor bronze
- Finished: Tin-plated
- Used in 20004H-N series housing
- Wire range: AWG #22 ~ #28
- Thickness: 0.2mm

Order Information

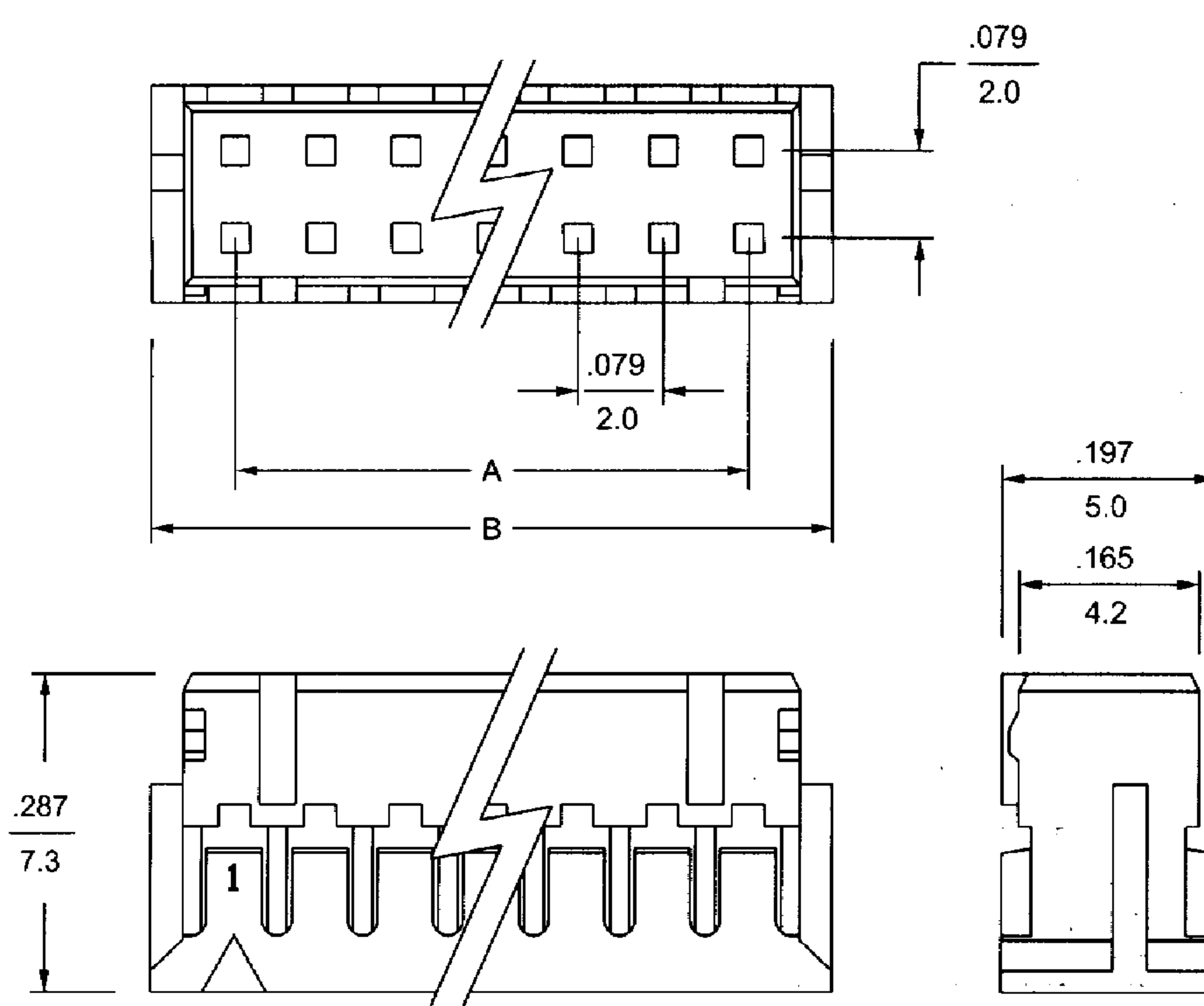
| Part No. | Wire size |
|----------|---------------|
| 20004T1 | #24 ~ #28 AWG |
| 20004T2 | #22 ~ #26 AWG |



inches
mm

20004H-N Series Crimp Terminal Housing

- 10 ~ 32 circuits available
- Material: Nylon 66, UL 94V-0
- Standard color: White
- Accepts 20004T terminal
- Mates with 20004W series headers



inches
mm

Dimensional Information - in (mm)

| Circuits | Dim. A | Dim. B | Circuits | Dim. A | Dim. B | Circuits | Dim. A | Dim. B |
|----------|--------------|--------------|----------|--------------|--------------|----------|--------------|--------------|
| 10 | 0.315 (8.0) | 0.469 (11.9) | 18 | 0.630 (16.0) | 0.783 (19.9) | 26 | 0.945 (24.0) | 1.098 (27.9) |
| 12 | 0.394 (10.0) | 0.547 (13.9) | 20 | 0.709 (18.0) | 0.862 (21.9) | 28 | 1.024 (26.0) | 1.177 (29.9) |
| 14 | 0.472 (12.0) | 0.626 (15.9) | 22 | 0.787 (20.0) | 0.941 (23.9) | 30 | 1.102 (28.0) | 1.256 (31.9) |
| 16 | 0.551 (14.0) | 0.705 (17.9) | 24 | 0.866 (22.0) | 1.020 (25.9) | 32 | 1.181 (30.0) | 1.335 (33.9) |