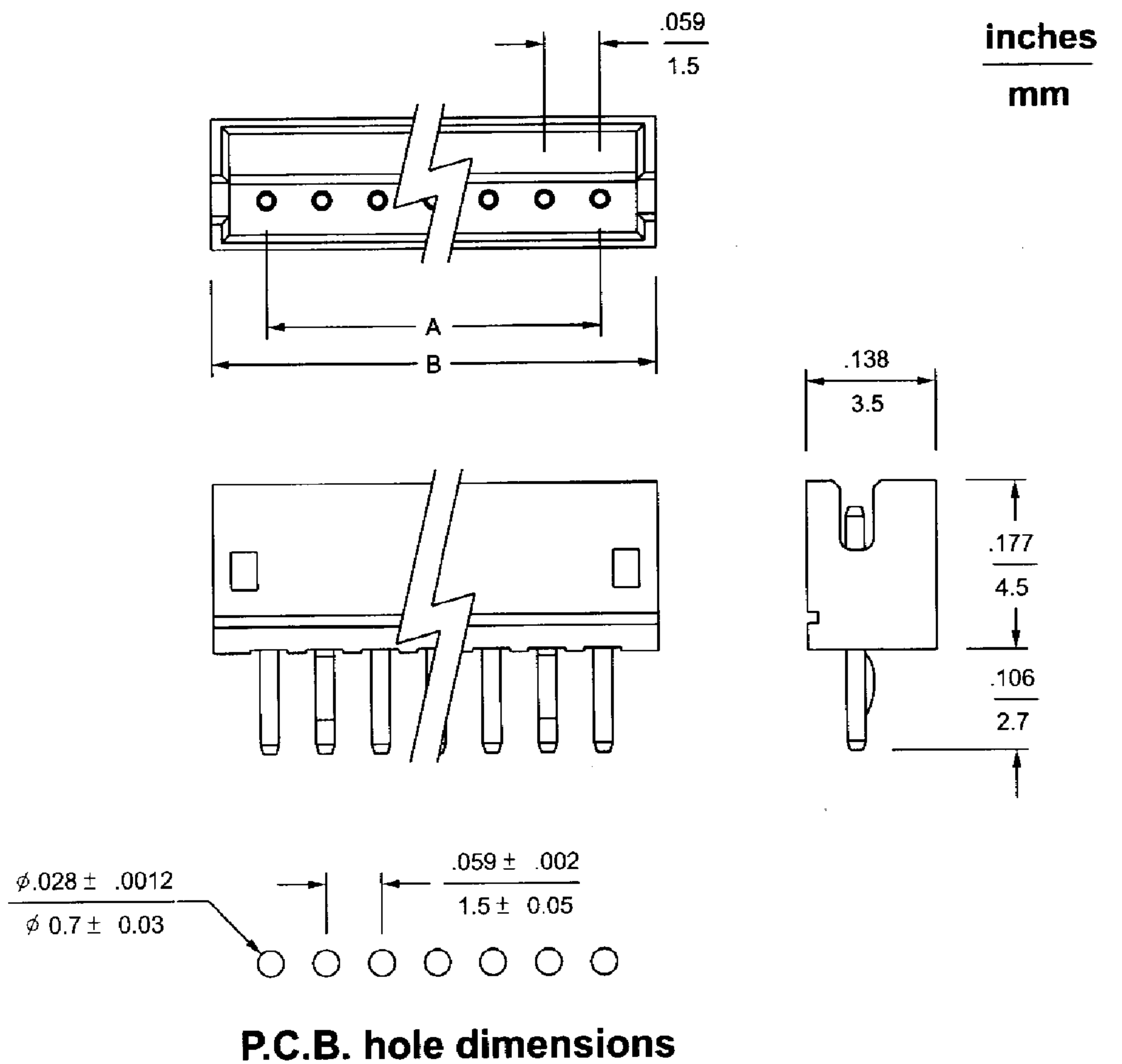


.059"(1.5mm) Center Headers

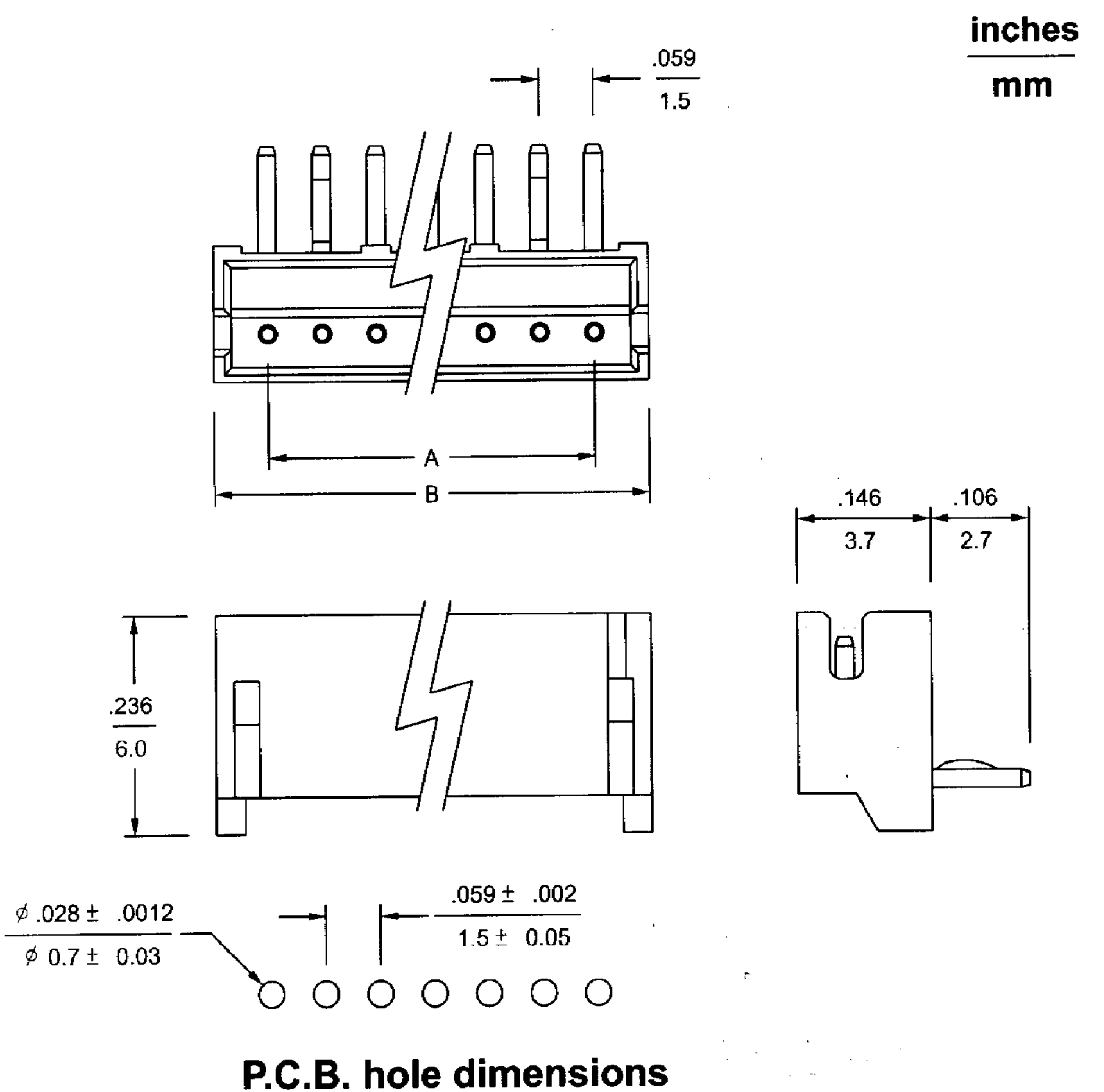
15001 WS-N Series Vertical Header

- 2 ~ 13 circuits available
- Contact: Tin-plated brass
- Insulation: Nylon 66, UL 94V-0
- Standard color: Nature
- Mates with 15001H series housing



15001WR-N Series Right Angle Header

- 2 ~ 13 circuits available
- Contact: Tin-plated brass
- Insulation: Nylon 66, UL 94V-0
- Standard color: Nature
- Mates with 15001H series housing



Dimensional Information - in (mm)

Circuits	Dim. A	Dim. B	Circuits	Dim. A	Dim. B	Circuits	Dim. A	Dim. B
2	0.059 (1.5)	0.177 (4.5)	6	0.295 (7.5)	0.413 (10.5)	10	0.531 (13.5)	0.650 (16.5)
3	0.118 (3.0)	0.236 (6.0)	7	0.354 (9.0)	0.472 (12.0)	11	0.591 (15.0)	0.709 (18.0)
4	0.177 (4.5)	0.295 (7.5)	8	0.413 (10.5)	0.531 (13.5)	12	0.650 (16.5)	0.768 (19.5)
5	0.236 (6.0)	0.354 (9.0)	9	0.472 (12.0)	0.591 (15.0)	13	0.709 (18.0)	0.827 (21.0)