

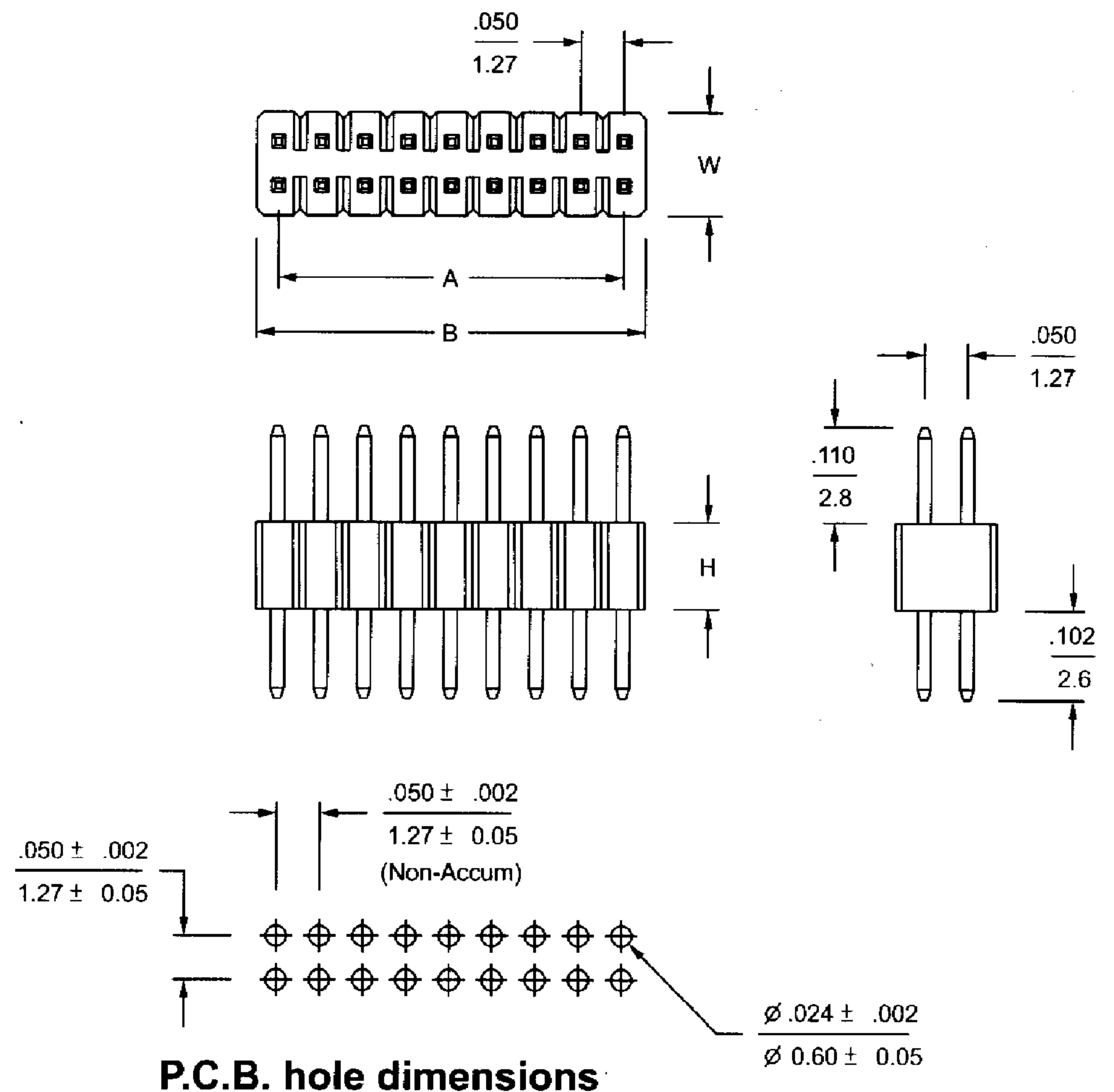
# .050"(1.27mm) Center Headers

## 12703WMS-N Series

### Dual Row Straight Header

- 4 ~ 100 circuits available
- Material: Nylon-6T
- Gold flash brass
- .0157"(0.4mm) straight square wire pins
- Mates with 12703 WF-N series header
- Various pin lengths available

inches  
mm



#### Ordering & Dimensional Information (mm)

Part No.	Dim. A	Dim. B	Dim. H	Dim. W
12703WMS A	$1.27 \times (N/2 - 1)$	$1.27 \times N/2$	2.54	3.00
12703WMS B			1.60	
12703WMS C			1.00	

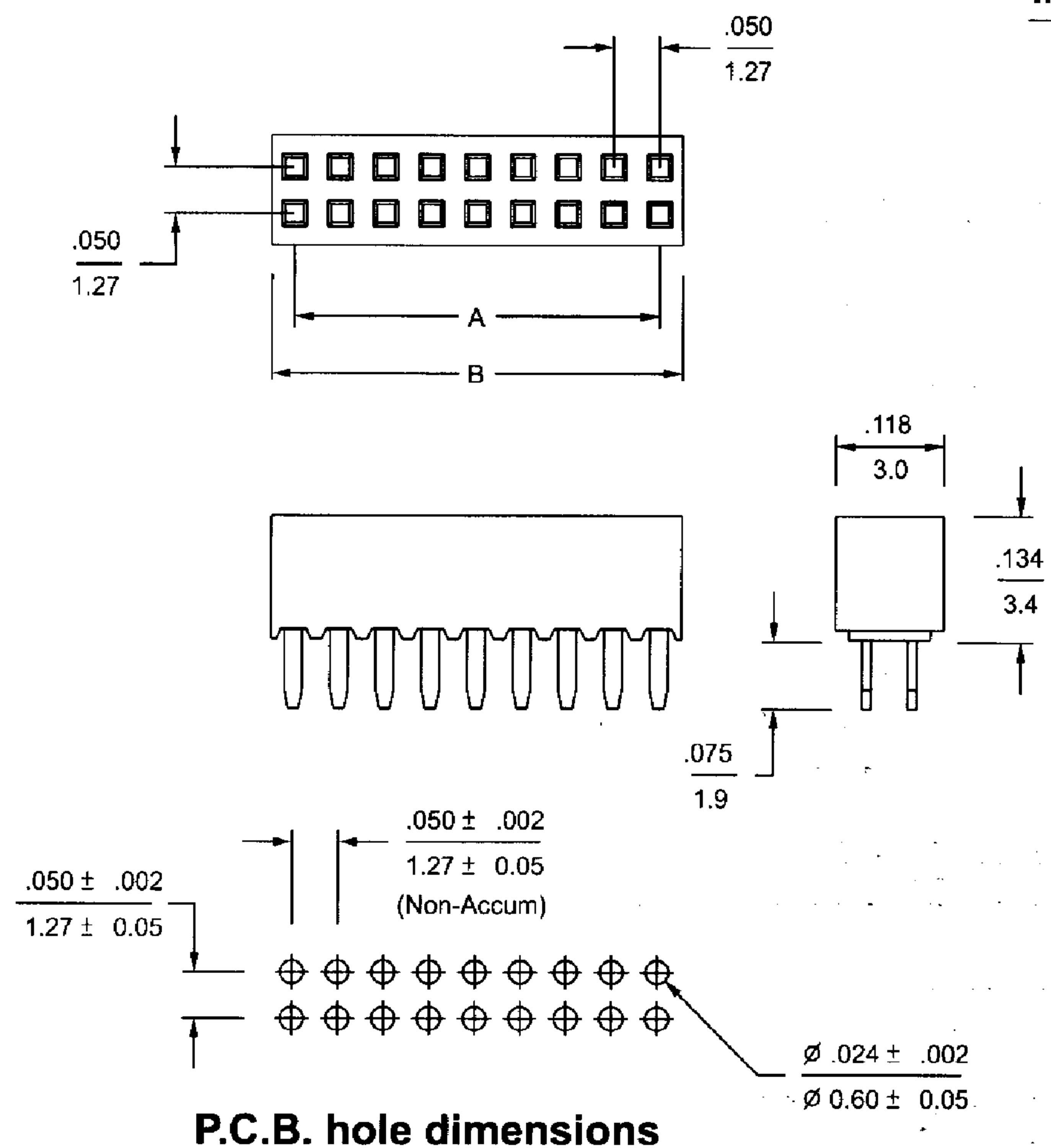
& N = Number of contact, 4 ~ 100

## 12703 WFS-N Series

### Dual Row Straight Header

- 4 ~ 100 circuits available
- Material: Nylon-6T
- Gold flash phosphor bronze
- Mates with 12703WM-N series header
- Various pin lengths available

inches  
mm



#### Dimensional Information (mm)

Part No.	Dim. A	Dim. B
12703WFS-N	$1.27 \times (N/2 - 1)$	$1.27 \times N/2$

& N = Number of contact, 4 ~ 100