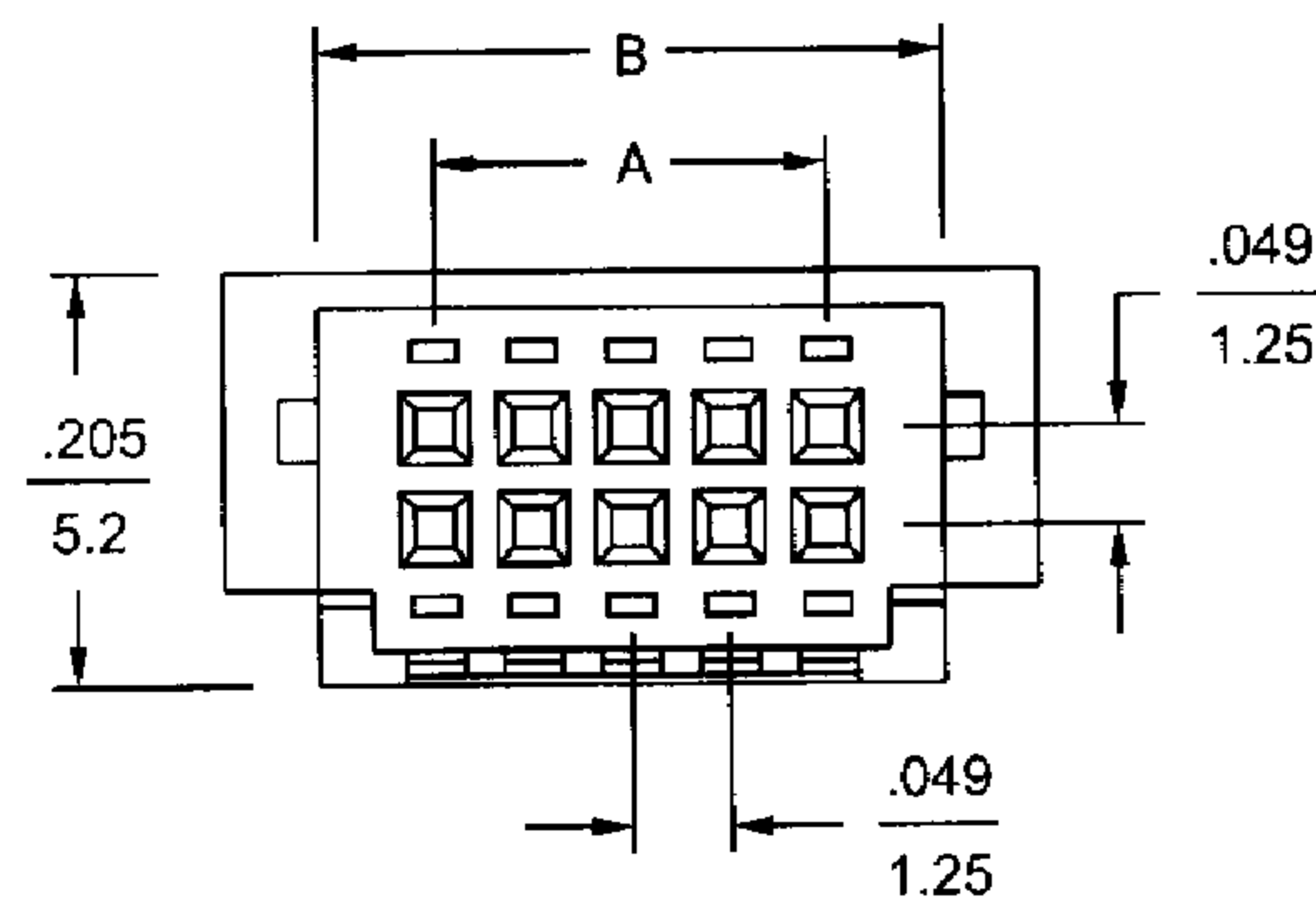


# .049" (1.25mm) Pitch Wire-to-Board Connector

## 12504H-N Series Dual Row Housing

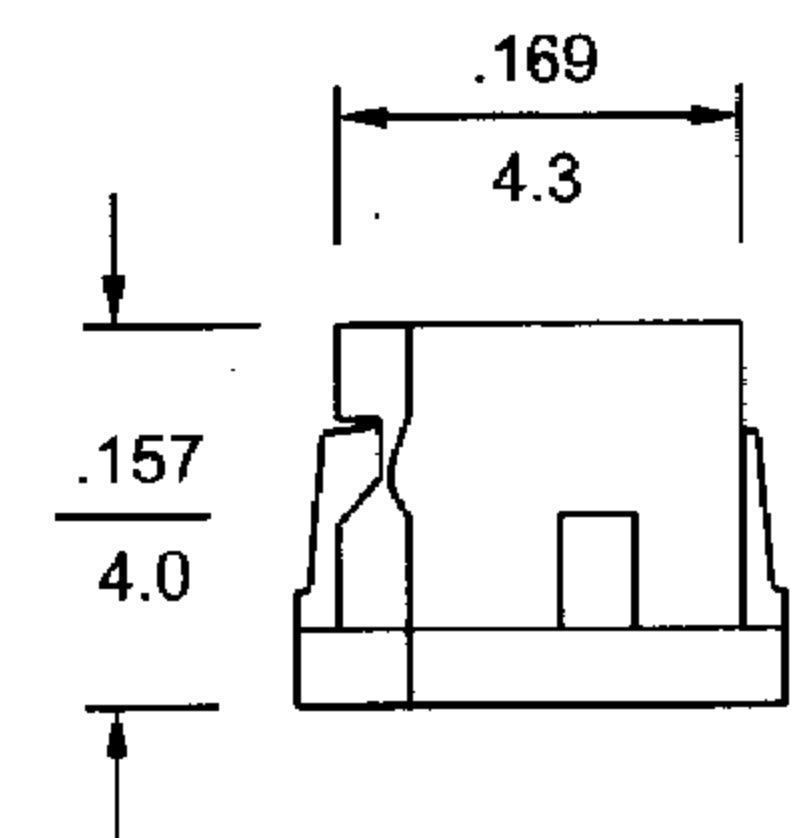
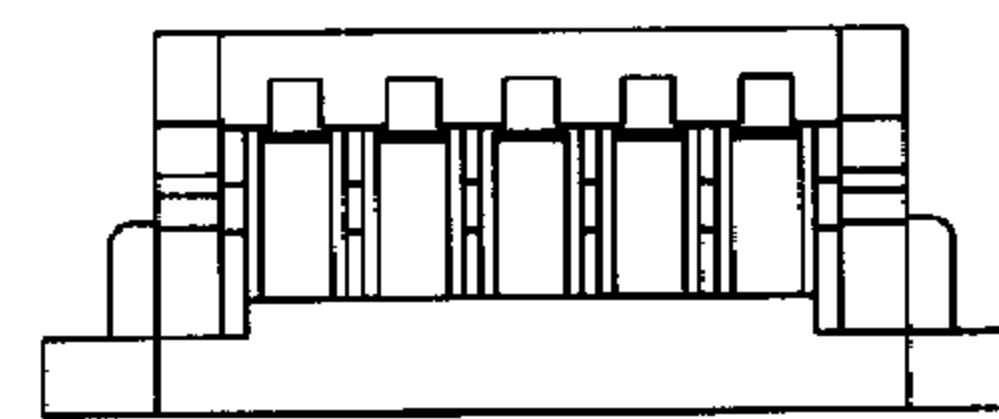
- 10, 20, 30, 40 circuits available
- Material: Nylon 66, UL 94V-0
- Accepts 12503T terminal
- Mates with 12504W series header



inches  
mm

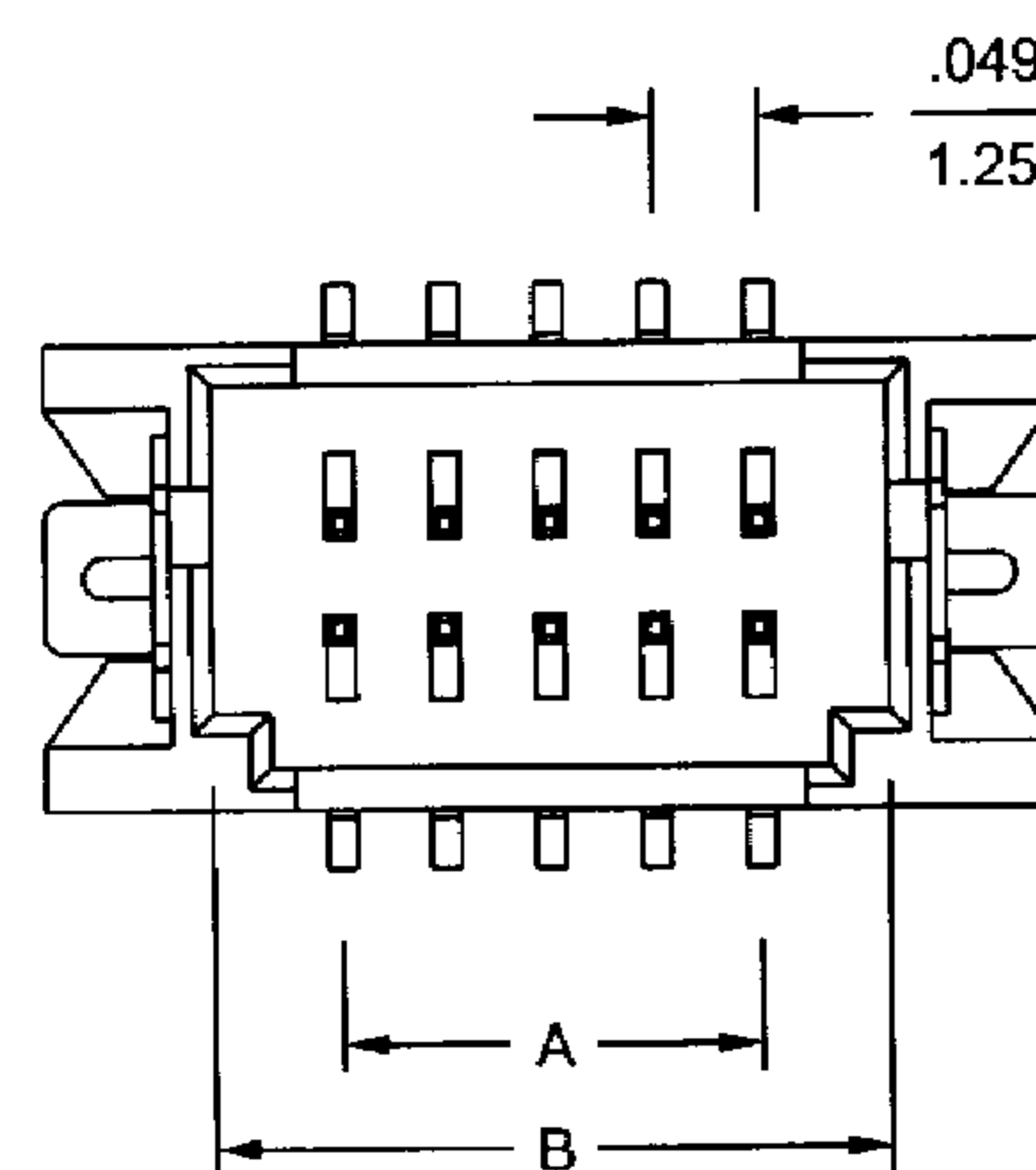
Dimensional Information - in ( mm )

Circuits	Dim. A	Dim. B
10	0.197 ( 5.00)	0.315 ( 8.00)
20	0.443 (11.25)	0.561 (14.25)
30	0.689 (17.50)	0.807 (20.50)
40	0.935 (23.75)	1.053 (26.75)

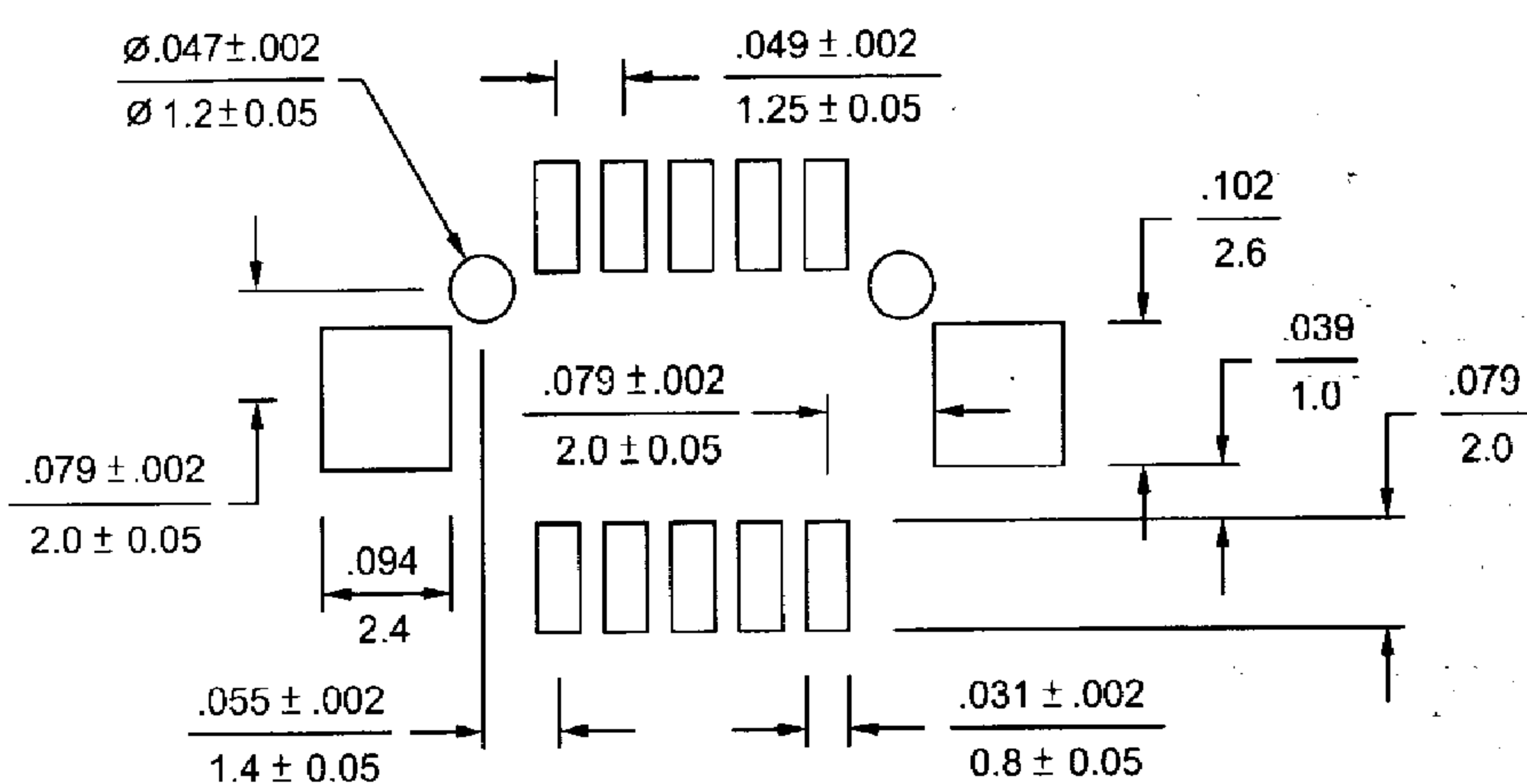
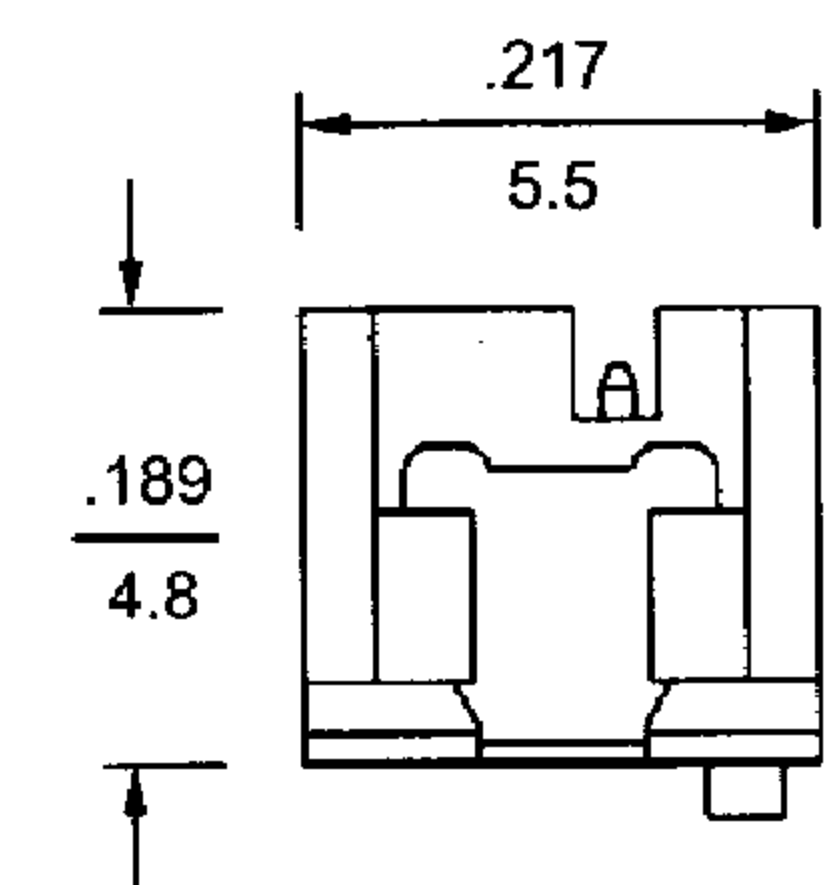
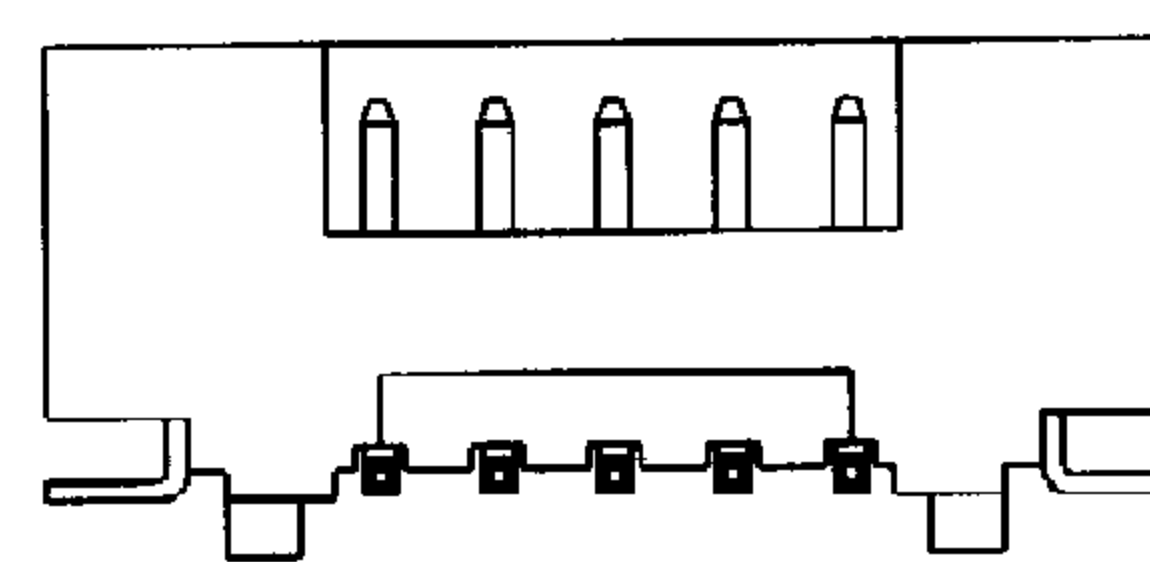


## 12504WS-N Series Straight Header, SMT

- 10, 20, 30, 40 circuits available
- .014" (0.35mm) square pins
- Contact: Tin-plated brass
- Insulation: Nylon 6T, UL 94V-0
- Mates with 12504H series housing



inches  
mm



Dimensional Information - in ( mm )

Circuits	Dim. A	Dim. B
10	0.197 ( 5.00)	0.319 ( 8.10)
20	0.443 (11.25)	0.565 (14.35)
30	0.689 (17.50)	0.811 (20.60)
40	0.935 (23.75)	1.057 (26.85)

PCB Layout: Solider side